



# MARINA - MRRL

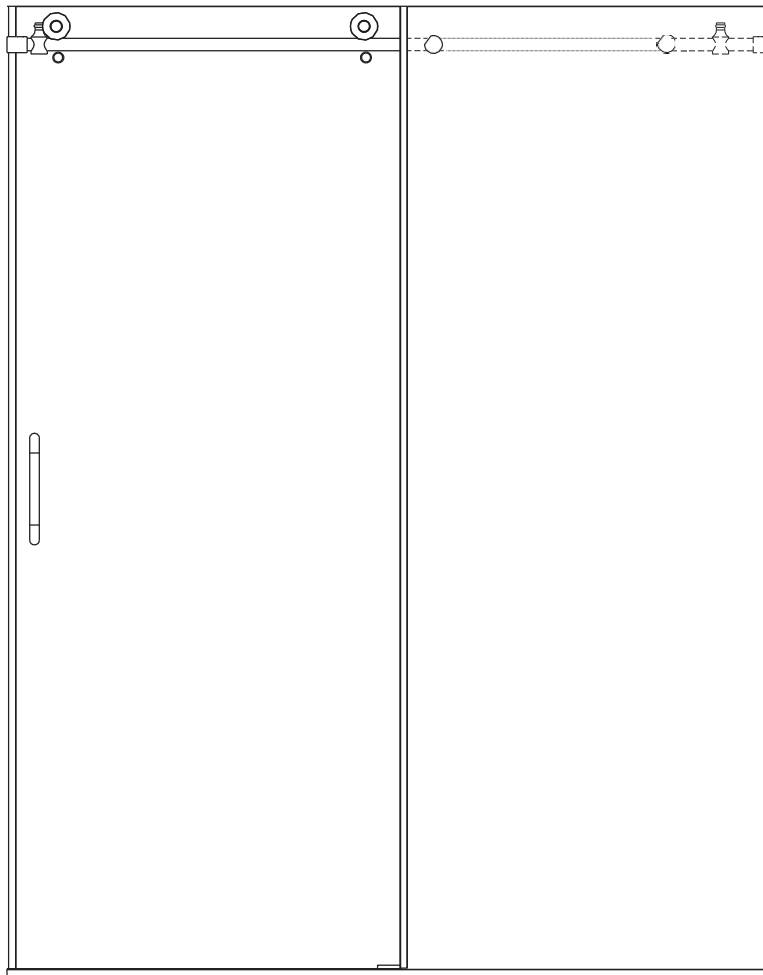
## ROLLER

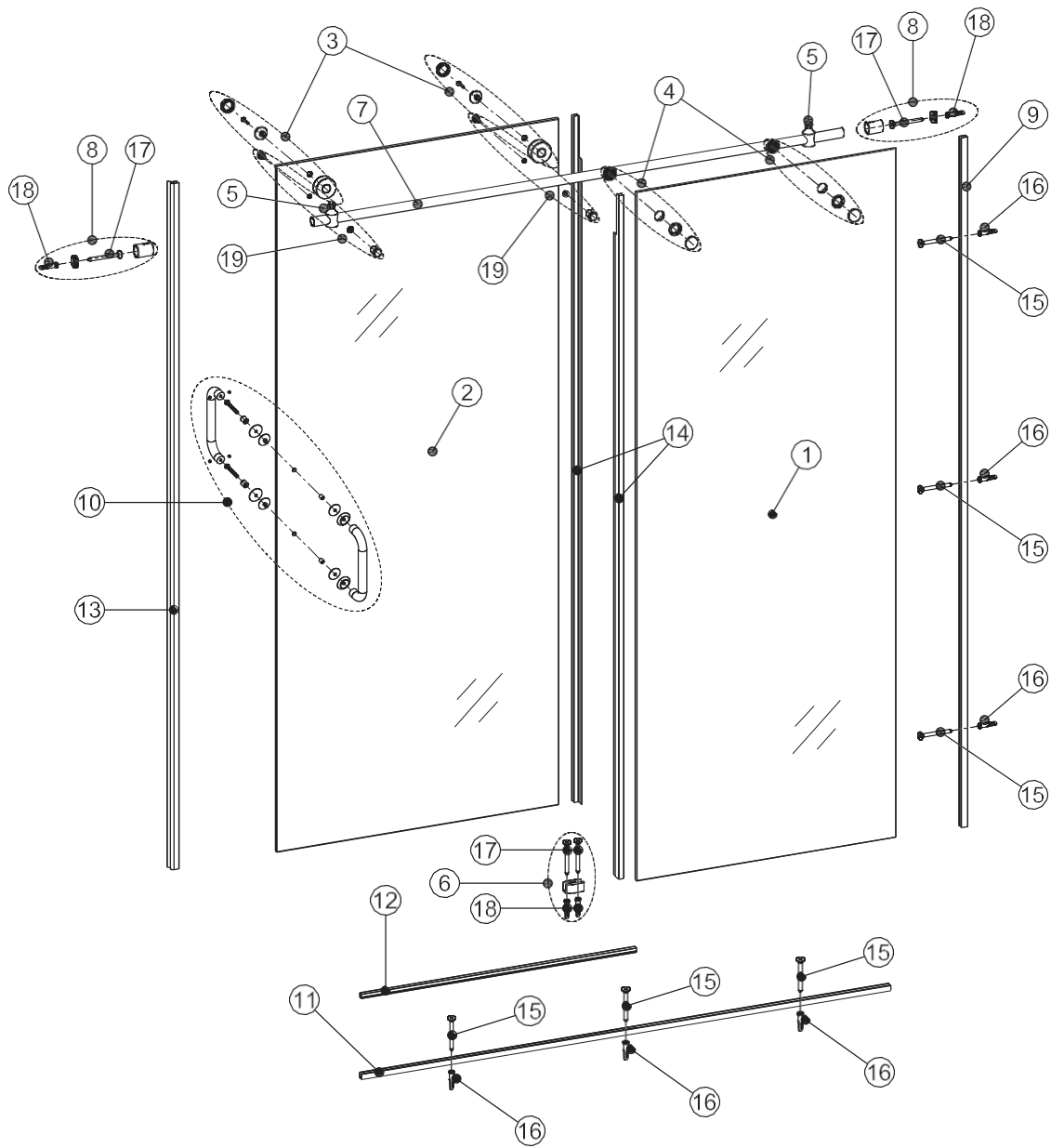
### SHOWER & TUB DOOR

COPY THE MODEL NUMBER FOR YOUR RECORDS HERE #

#### READ THE INSTRUCTIONS CAREFULLY

Familiarize yourself with all the parts as shown in the exploded view. The exploded view will also provide a helpful reference when relating to the location of the various parts and how they are mounted.



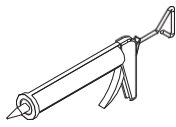
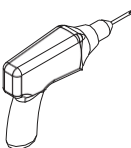
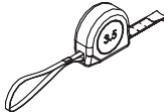
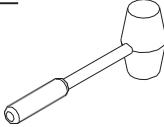
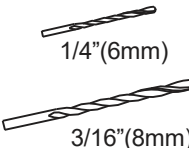

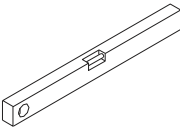
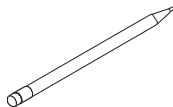
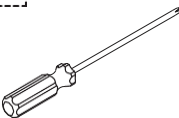
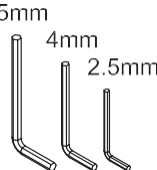


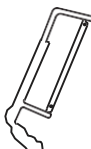



## PARTS LIST

Fixed Panel (1 pc)	Door Panel (1 pc)	Rollers (2 pcs)	Glass Holders (2 pcs)	Stoppers (2 pcs)	Bottom guide (1 pc)	Running rail (1 pc)
Wall bracket (2 pcs)	Wall channel (1 pc)	Handle (1 pc)	Bottom track (1 pc)	Bottom track cover (1 pc)	Door gasket (1 pc)	Gap gasket (2 pcs)
Flat Head Screw ST3.5x35 (6 pcs)	Wall plug (6 pcs)	Flat Head Screw ST4.8x38 (4 pcs)	Wall plug (4 pcs)	Glass fix nail (2 pcs)		



## RECOMMENDED TOOLS

					
SILICONE	DRILL	TAPE MEASURE	RUBBER MALLET	DRILL BITS	KNIFE
					
LEVEL	PENCIL	SCREW DRIVERS	HEX KEYS	INSTALL ROD	POSITIONER
					
HANSAW	SAFETY GLASSES				

**WARNING:** Safety glasses should always be worn when working with tempered glass.

## BEFORE YOU BEGIN

**CAUTION: Risk of injury or product damage.** Unframed tempered glass should not contact hard surfaces or it may shatter. Do not touch the edge of the tempered glass panel with tools or any hard objects. Do not set the unframed tempered glass edge directly on the floor.

**CAUTION: Risk of injury or product damage.** Do not attempt to cut tempered glass. Tempered glass shatters when it is cut.

**CAUTION: Risk of product damage and property damage.** This shower door is very heavy, Do not install it to plastic shower modules or drywall unless additional support is provided behind the wall.

**IMPORTANT NOTE: This door requires a 3" wide flat surface for proper installation.**

- Before starting the installation, lay out and identify all of the parts. Inspect them for damage.
- Closely follow the instructions pertaining to the sealant application on the door.
- Sealing areas other than those shown may cause leakage.
- Two people should perform this installation.



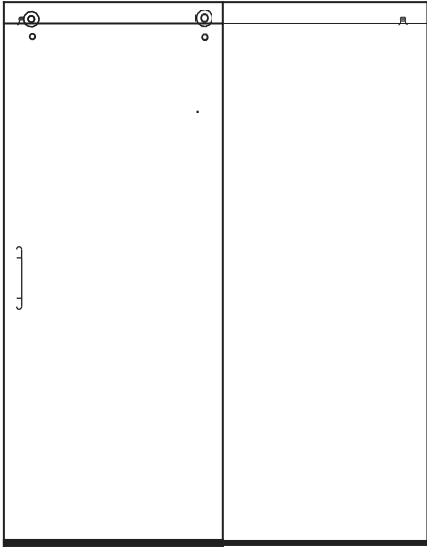
---

# CHOOSE THE SHOWER DOOR OPEN DIRECTION - LEFT OR RIGHT SHOWER DOOR

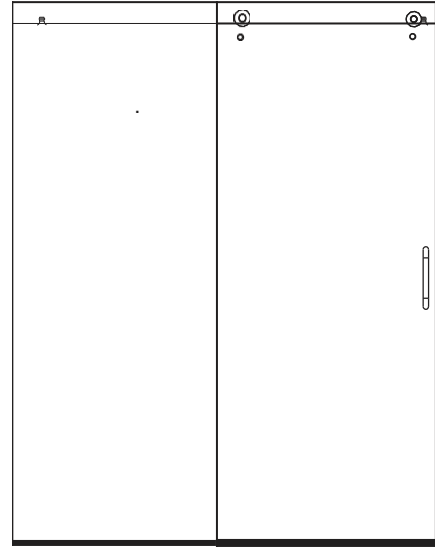
---

FOLLOW THE APPROPRIATE DIAGRAM BELOW

LEFT HAND ASSEMBLY



RIGHT HAND ASSEMBLY



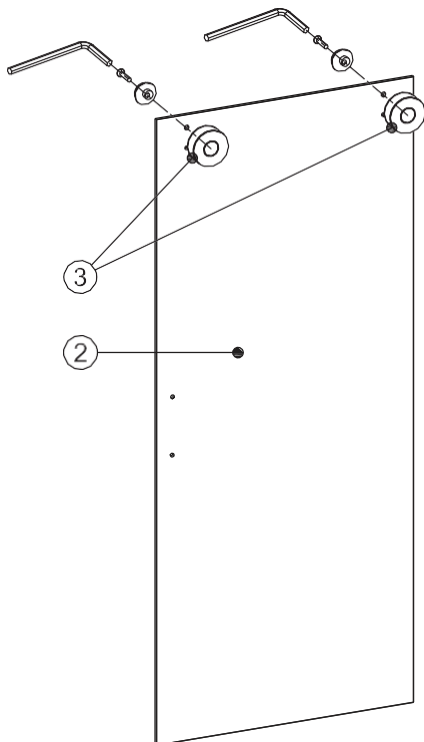
---

## INSTALLATION PROCEDURE / STEP 1

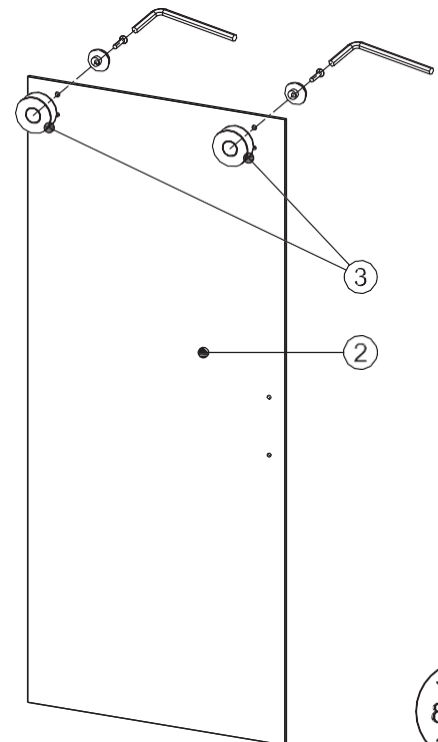
---

**1** **Install rollers to door.** Pick up the rollers from the package, install them to door panel as illustrated, fastened by hex key 4mm.

LEFT HAND ASSEMBLY



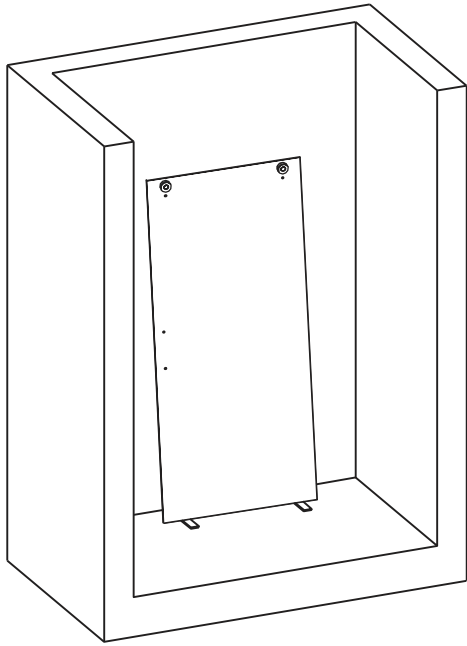
RIGHT HAND ASSEMBLY



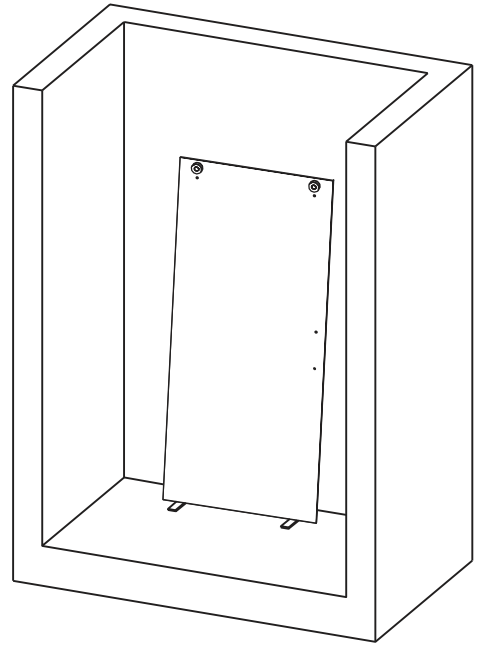
## INSTALLATION PROCEDURE / STEP 2

- 2** Put the door panel inside your shower and have the wood blocks set under the bottom of the panel as illustrated.

LEFT HAND ASSEMBLY



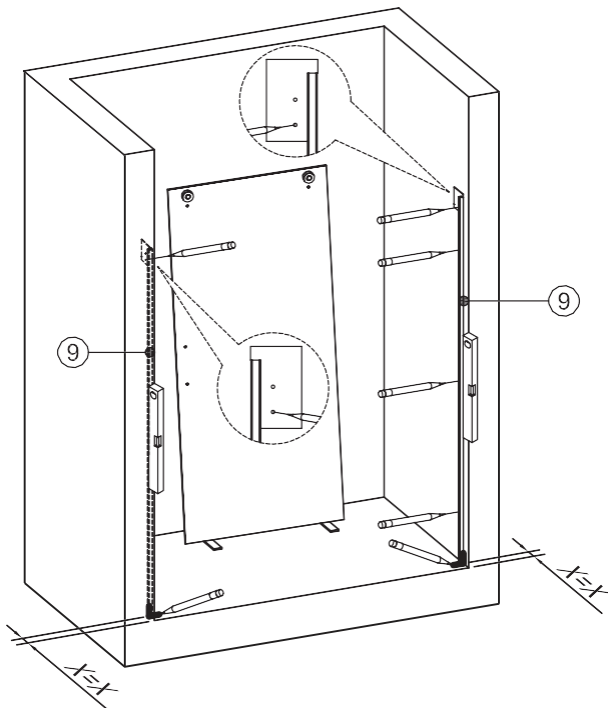
RIGHT HAND ASSEMBLY



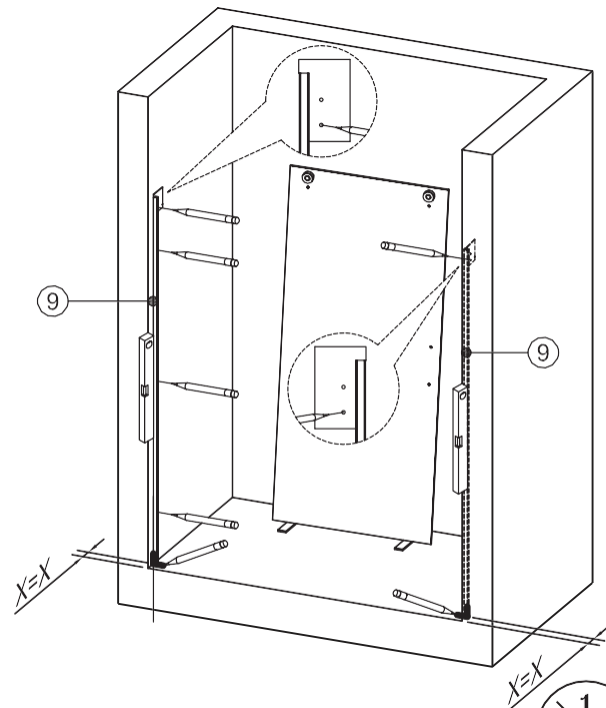
## INSTALLATION PROCEDURE / STEP 3

- 3** Use a professional level and the provided cardboard positioner for this step. Before installing the wall channel, determine the position of both (right and left) wall brackets. Use the bottom hole only to mark the wall bracket placement. (Approx. 73"). You need 3" of base width to mount the bottom rail to the shower base (see page 11). Mount as close to the outside of the shower base threshold as possible.

LEFT HAND ASSEMBLY



RIGHT HAND ASSEMBLY



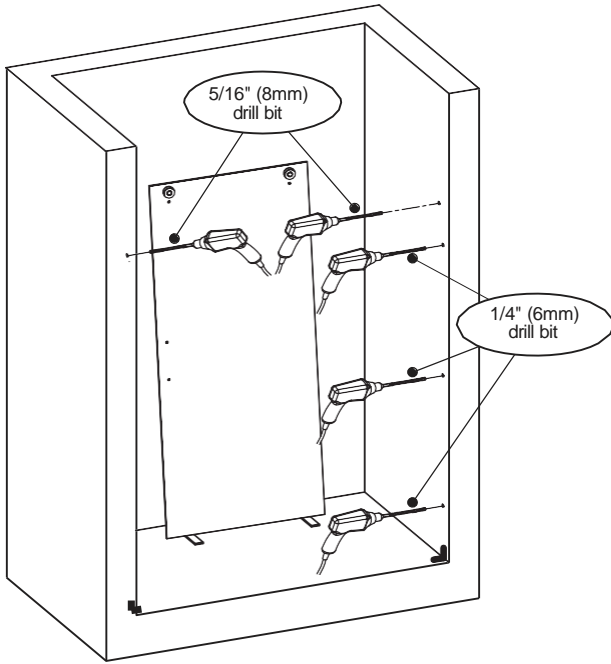
---

## INSTALLATION PROCEDURE / STEP 4

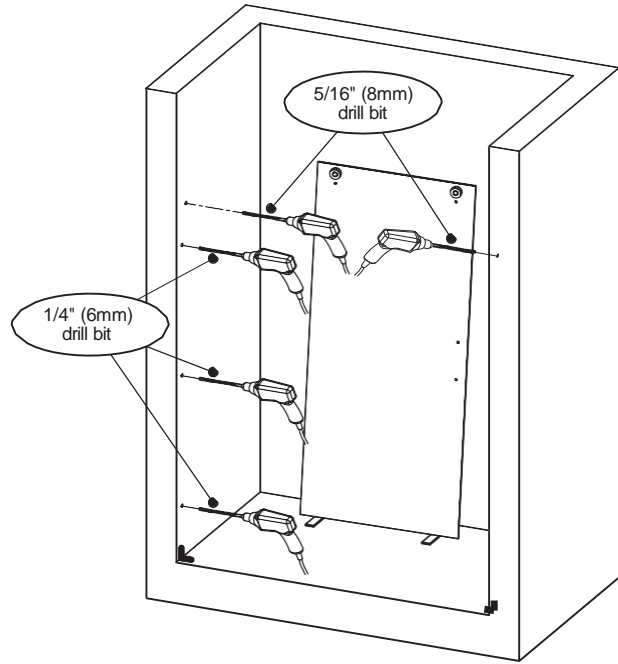
---

- 4** **Mark and drill holes** for wall channel with 1/4" (6mm) drill bit.  
Drill holes for wall bracket with 5/16" (8mm) drill bit.

LEFT HAND ASSEMBLY



RIGHT HAND ASSEMBLY



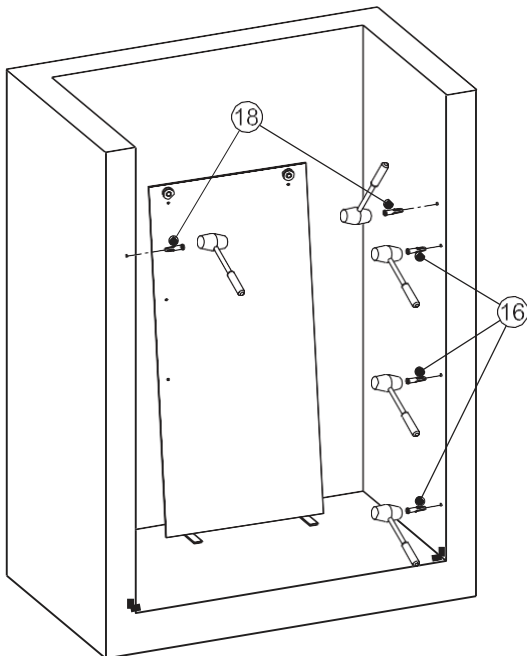
---

## INSTALLATION PROCEDURE / STEP 5

---

- 5** **Install the wall plugs.**

LEFT HAND ASSEMBLY



RIGHT HAND ASSEMBLY

