



Elite[®] Series Gas Furnaces



ML801T

80% A.F.U.E.† Heating Stages: Single Stage
Motor Type: Constant Torque
Input Rates: 50-125 kBTU [14.6-36.6 kW]
Configuration Options: Downflow

Manufactured for
Mainline[®]
HVACmainline.com



† A.F.U.E. (Annual Fuel Utilization Efficiency) calculated in accordance with Department of Energy test procedures.

Table of Contents

Features & Benefits	3
Model Number Identification	4
Physical Data and Specifications	5
Dimensional Data	6
Blower Performance Data	7
Accessories	8
Limited Warranty	12

Features and Benefits

- **Diagnostics:** Industry-first, 7-segment LED for quick & easy service
- **Ignition System:** Proven Direct Spark Ignition (DSI) for reliability and longevity
- **Low Profile, 34-inch Cabinet:** Makes our furnaces ideal for space-constrained installations
- **Hemmed Cabinet & Door Edges and Quarter-turn Door Fasteners (Upflow/Horizontal only):** Allows for safe, tool-less access and serviceability
- **Removable Heat Exchanger:** Improves serviceability. Aluminized steel construction provides maximum corrosion resistance and thermal fatigue reliability
- **Blower Shelf Design:** Ensures serviceability in all furnace orientations

Gas Furnaces

<u>ML</u>	<u>80</u>	<u>1</u>	<u>T</u>	<u>050</u>	<u>3</u>	<u>A</u>	<u>14</u>	<u>DZ</u>	<u>S</u>	<u>N</u>	<u>A</u>	<u>S</u>
Brand	Furnace Efficiency	Stages of Heating	Motor Type	Heating Input	AC Max. Capacity	Major Series	Width	Position	NOx	Controls	Minor Series	Option Code
ML - Mainline	80 - 80% AFUE	1 - Single-Stage	T - Constant Torque	050 - 50K BTUH [14.65 kW] 075 - 75K BTUH [21.00 kW] 100 - 100K BTUH [29.30 kW] 125 - 125K BTUH [36.63 kW]	3 - 3 ton drive 5 - 5 ton drive	A - 1st Design Series	14 - 14" Width 17 - 17.5" Width 21 - 21" Width 24 - 24.5" Width	DZ - Downflow Zero Clearance	S - Standard N - Low NOx	N - Non-Comm.	A - 1st Series	S - Standard Grade

[] Designates Metric Conversions

AVAILABLE MODELS
ML801T0503A14DZ*NAS
ML801T0753A17DZ*NAS
ML801T0755A21DZ*NAS
ML801T1005A21DZ*NAS
ML801T1255A24DZ*NAS

* S = Standard, N = Low NOx

STANDARD EQUIPMENT
100% Safety Lock Out
7 Segment LED
Aluminized Steel Heat Exchanger Design
Blower Compartment Door Safety Switch
Completely Assembled and Wired
Cool Fan Off Delay
Direct Drive Motor
Electronic Air Cleaner Connections
Field Selectable Heat Fan Off Delay
Flame Sense Current Diagnostics
Fully Insulated Heat Exchanger Cabinet
Humidifier Connections
Induced Draft Motor
Limit Controls
Low Speed Continuous Fan Option
Manual Shut-Off Valve
Multi-Speed Constant Torque Blower Motor
One Hour Automatic Retry
Power and Self-Test Diagnostics
Pressure Switch
Redundant Main Gas Control
Single Speed Option for Heating and Cooling Applications
Blower Insulation
Solid State Time On/Off Blower Control
Transformer

WARNING
THIS FURNACE IS NOT APPROVED
OR RECOMMENDED
FOR USE IN MOBILE HOMES

Physical Data and Specifications—Downflow Models

MODEL NUMBERS ML801T Constant Tq-Dflow Series	ML801T 0503A14DZ*NAS	ML801T 0753A17DZ*NAS	ML801T 0755A21DZ*NAS	ML801T 1005A21DZ*NAS	ML801T 1255A24DZ*NAS
Input-BTU/Hr [kW]	50,000 [15]	75,000 [22]	75,000 [22]	100,000 [29]	125,000 [37]
Heating Capacity BTU/Hr [kW] ①	40,000 [12]	60,000 [18]	60,000 [18]	80,000 [23]	100,000 [29]
Blower (D x W) [mm]	11 x 6 [279 x 152]	11 x 7 [279 x 178]	11 x 10 [279 x 254]	11 x 10 [279 x 254]	11 x 10 [279 x 254]
Motor H.P. [W] Type	1/2 [373] 5 Spd Constant Torque	3/4 [559.5] 5 Spd Constant Torque	3/4 [559.5] 5 Spd Constant Torque	3/4 [559.5] 5 Spd Constant Torque	1 [746] 5 Spd Constant Torque
Min. Circuit Ampacity	9	12	14	14	15
Max. Overload Protection Device	15	15	20	20	25
Motor Full Load Amps	6.1	9.6	9.6	9.6	12.4
Heating Speed	Med	Med-Low	Med	Med	Med-High
Cooling Speed	High	High	High	High	High
Cooling in CFM [L/s] @ 0.5"wc [0.12 kPa] E.S.P.	1301 [614]	1200 [566]	2000 [944]	2000 [944]	2000 [944]
Max. E.S.P. (In. W.C.) [kPa]	.9 [0.224]	.9 [0.224]	.9 [0.224]	.9 [0.224]	.9 [0.224]
Temperature Rise Range °F [°C]	25-55 [13.9-30.6]	35-65 [19.4-36.1]	25-55 [13.9-30.6]	30-60 [16.6-33.3]	35-65 [19.4-36.1]
Approx. Shipping Weight (Lbs.) [kg]	108.5 [49]	120.5 [55]	128.5 [58]	140 [63]	151 [68]
AFUE ②	80.0%	80.0%	80.0%	80.0%	80.0%

NOTES: All models are 115V, 60HZ, 1 Ph. Gas connection size for all models is 1/2" [12 mm] N.P.T.

① In accordance with D.O.E. test procedures.

② See Conversion Kit Index Form for high altitude derate.

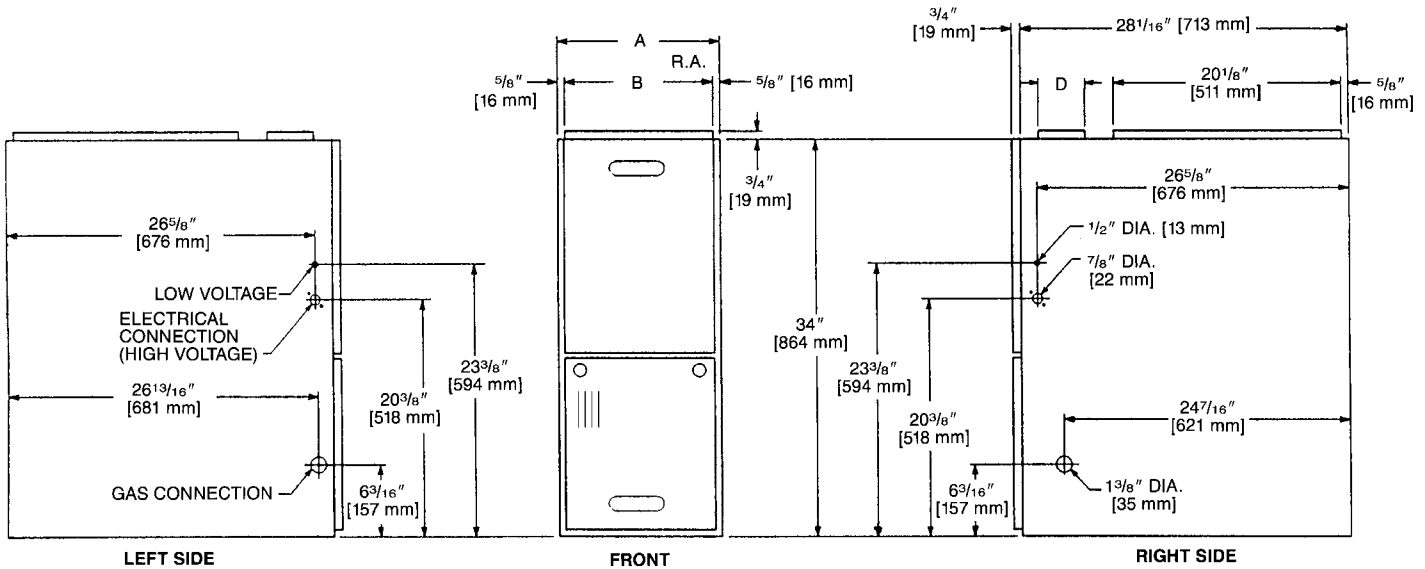
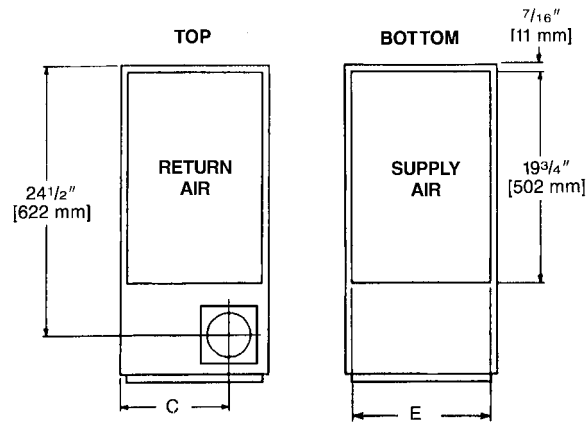
*S=Standard, N=Low NOx

This furnace does not meet air district requirements of 14 ng/J NOx emissions limit, and thus is subject to a mitigation fee of up to \$450.

This furnace is to be installed for propane firing only in air districts requiring 14 ng/J NOx emission limits. Operating in natural gas mode is in violation of these Rules.

[] Designates Metric Conversions

Downflow Dimensions



Dimensional Data—Downflow Models

MODEL ML801T	A	B	C	D	E	REDUCED CLEARANCES (IN.) [mm]					
						LEFT SIDE	RIGHT SIDE	BACK	TOP	FRONT	VENT
050	14 [356]	12 ^{27/32} [326]	10 ^{3/8} [264]	①	13 ^{1/8} [333]	0	4 [102] ②	0	1 [25]	3 [76]	6 [152]
050417	17 1/2 [445]	16 ^{11/32} [415]	12 ^{1/8} [308]	①	16 ^{5/8} [422]	0	3 [76] ②	0	1 [25]	3 [76]	6 [152]
075521	21 [533]	19 ^{27/32} [504]	13 ^{7/8} [352]	①	20 ^{1/8} [511]	0	0	0	1 [25]	3 [76]	6 [152] ③
100	21 [533]	19 ^{27/32} [504]	13 ^{7/8} [352]	①	20 ^{1/8} [511]	0	0	0	1 [25]	3 [76]	6 [152] ③
125	24 1/2 [622]	23 ^{11/32} [593]	15 ^{5/8} [397]	①	23 ^{5/8} [600]	0	0	0	1 [25]	3 [76]	6 [152] ③

NOTES: ① May require a 3" [76 mm] to 4" [102 mm] or 3" [76 mm] to 5" [127 mm] adapter.

② May be 0" [0 mm] with type B vent.

③ May be 1" [25 mm] with type B vent.

Furnaces must be vented in accordance with the National Fuel Gas Code, ANSI Z223.1 and in accordance with local codes.

[] Designates Metric Conversions

Blower Performance Data—Downflow Models

AIR FLOW PERFORMANCE - 80% SINGLE STAGE DOWNFLOW CONSTANT TORQUE												
INPUT (BTU) CABINET WIDTH (IN)	AIRFLOW CONTROL SETTINGS	SPEED TAP/ WIRE COLORS	CFM [L/s] AIR DELIVERY EXTERNAL STATIC PRESSURE INCHES WATER COLUMN [KPA]									
			0.1 [0.02]	0.2 [0.05]	0.3 [0.07]	0.4 [.10]	0.5 [0.12]	0.6 [0.15]	0.7 [0.17]	0.8 [.19]	0.9 [.22]	1.0 [.25]
50k 14"	FACTORY SETTING FAN	LOW/RED	909	747	618	517	439	377	326	280	234	183
	COOL	MEDIUM LOW/ YELLOW	982	899	828	766	712	664	620	577	534	490
	HEAT OR HEAT/COOL	MEDIUM/ PURPLE	1027	993	958	921	882	843	802	762	721	680
	COOL	MEDIUM HIGH/ BLUE	1172	1130	1093	1060	1030	1001	972	941	907	869
	FACTORY SETTING COOLING	HIGH/BLACK	1296	1262	1232	1204	1177	1150	1123	1094	1063	1029
75k 17"	FACTORY SETTING FAN	LOW/RED	1018	957	913	866	816	772	720	670	626	588
	HEAT OR HEAT/COOL	MEDIUM LOW/ YELLOW	1146	1111	1059	1012	967	928	889	845	800	755
	COOL	MEDIUM/ PURPLE	1325	1257	1199	1144	1089	1028	975	922	871	813
	COOL	MEDIUM HIGH/ BLUE	1554	1490	1429	1365	1306	1272	1218	1170	1122	1077
	FACTORY SETTING COOLING	HIGH/BLACK	1752	1682	1625	1574	1525	1473	1421	1379	1341	1296
75k 21"	FACTORY SETTING FAN	LOW/RED	1011	987	928	861	796	739	675	604	553	513
	COOL	MEDIUM LOW/ YELLOW	1341	1287	1216	1162	1105	1054	1000	952	899	847
	HEAT OR HEAT/COOL	MEDIUM/ PURPLE	1535	1487	1434	1384	1333	1280	1230	1190	1142	1099
	COOL	MEDIUM HIGH/ BLUE	1689	1644	1596	1559	1499	1454	1414	1370	1331	1280
	FACTORY SETTING COOLING	HIGH/BLACK	1848	1801	1762	1717	1678	1632	1598	1556	1527	1470
100k 21"	FACTORY SETTING FAN	LOW/RED	1123	1035	968	897	838	768	692	618	570	525
	COOL	MEDIUM LOW/ YELLOW	1421	1365	1316	1266	1219	1157	1105	1052	1004	959
	COOL	MEDIUM/ PURPLE	1684	1632	1744	1549	1506	1462	1421	1379	1333	1277
	HEAT OR HEAT/COOL	MEDIUM HIGH/ BLUE	1865	1825	1780	1747	1705	1677	1636	1597	1562	1499
	FACTORY SETTING COOLING	HIGH/BLACK	1997	1955	1916	1875	1841	1803	1769	1730	1700	1646
125k 24"	FACTORY SETTING FAN	LOW/RED	1127	1064	993	931	867	805	749	687	628	578
	COOL	MEDIUM LOW/ YELLOW	1438	1381	1330	1277	1227	1171	1118	1061	1024	976
	COOL	MEDIUM/ PURPLE	1726	1664	1622	1588	1544	1494	1446	1404	1360	1317
	HEAT OR HEAT/COOL	MEDIUM HIGH/ BLUE	1883	1832	1789	1756	1711	1678	1617	1587	1551	1495
	FACTORY SETTING COOLING	HIGH/BLACK	2209	2166	2129	2090	2059	2010	1976	1914	1911	1875

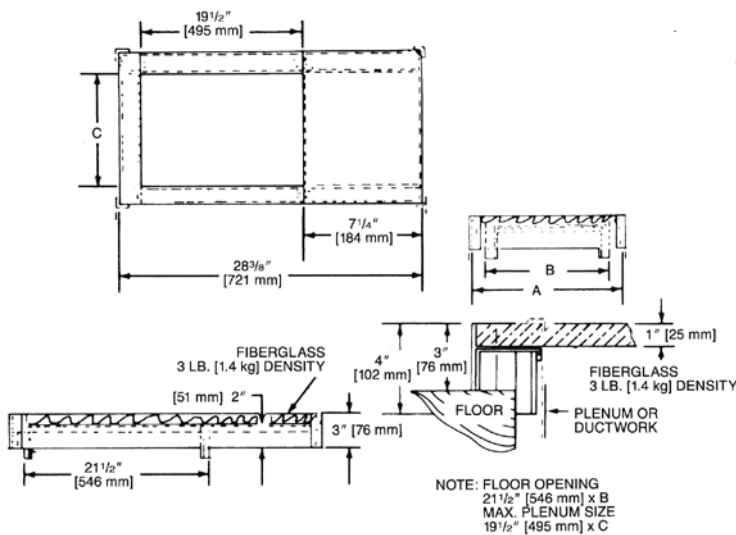
[] Designates Metric Conversions

Downflow Accessories

DOWNFLOW WARNING: Unit design is certified for installation on non-combustible floor. A special factory supplied combustible floor sub-base is required when installing on a combustible floor. Failure to install the sub-base may result in fire, property damage and personal injury.

Combustible Floor Base Dimensions

COMBUSTIBLE FLOOR BASE	USE WITH FURNACE SIZES	A IN. [mm]	B IN. [mm]	C IN. [mm]
RXGC-B14	ML801T050	14 ¹ / ₂ [368]	13 ¹ / ₄ [337]	11 ¹ / ₄ [286]
RXGC-B17	ML801T075317	18 [457]	16 ³ / ₄ [425]	14 ³ / ₄ [451]
RXGC-B21	ML801T100521, ML801T075521	21 ¹ / ₂ [546]	20 ¹ / ₄ [514]	18 ¹ / ₄ [464]
RXGC-B24	ML801T125	25 [635]	23 ³ / ₄ [603]	21 ³ / ₄ [552]



[] Designates Metric Conversions

RXGF-CC*

FILTER RACK—Downflow top return mount. Requires (2) 14 x 20 Filters.

NOTE: Filter racks are shipped without filters.

*Filters available through PROSTOCK ®.

For High Altitudes:

HIGH ALTITUDE OPTION CODE: U.S. & Canada –

None required for high altitudes.

HIGH ALTITUDE CONVERSION KITS: U.S. & Canada –

None required for high altitudes.

80+ HIGH ALTITUDE INSTRUCTIONS

Caution: Always follow National Fuel Gas Code (NFGC) guidelines when converting for high altitudes.

High altitude option codes are not required for these models. However, the burner orifice size needs to be recalculated and verified at elevations above 2000 ft. See Installation Instructions for more information.

NOTE: For Canadian installations only, an optional derate (manifold gas pressure reduction) method may be used to adjust the furnace for altitude. See Installation Instructions for more information. This optional method may **NOT** be used for U.S. installations.

L.P. CONVERSION KIT: RXGJ-FP15



GENERAL TERMS OF LIMITED WARRANTY*

Mainline® will furnish a replacement for any part of this product which fails in normal use and service within the applicable period stated, in accordance with the terms of the limited warranty.

*For complete details of the Limited and Conditional Warranties, including applicable terms and conditions, contact your local contractor or the Manufacturer for a copy of the product warranty certificate.

Conditional Parts
(Registration Required)..... Ten (10) Years
Heat Exchanger Twenty (20) Years

Before proceeding with installation, refer to installation instructions packaged with each model, as well as complying with all Federal, State, Provincial, and Local codes, regulations, and practices.

"In keeping with its policy of continuous progress and product improvement, Mainline reserves the right to make changes without notice."

www.MainlineCollection.com