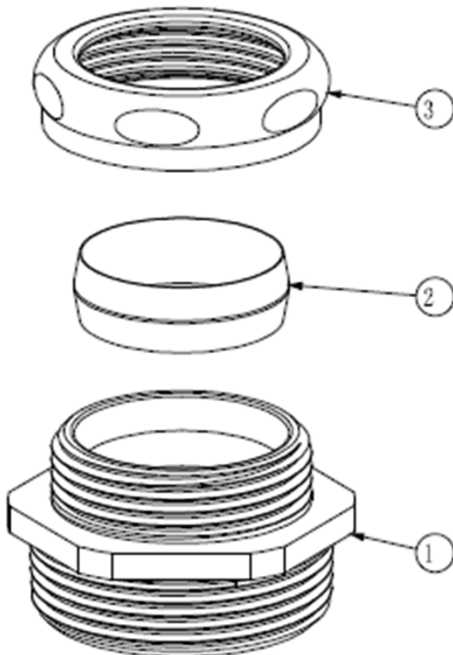
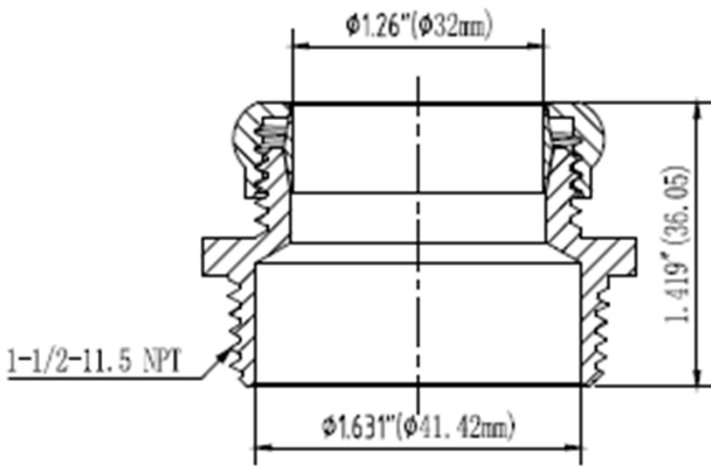


SPECIFICATIONS

- 1-1/2" MIP x 1-1/4" Slip Joint



ML1015



No.	Part Name	Material
1	Body	Brass
2	Compression Ring	Brass
3	Nut	Brass