

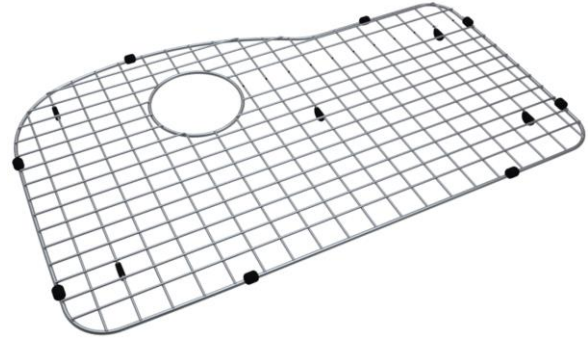
Sink Bottom Grid

Product Specifications



Features

- Custom designed to protect and cover the bottom of your sink
- Properly positioned opening for convenient access to drain or disposer
- Built from solid stainless steel to resist corrosion and provide years of service

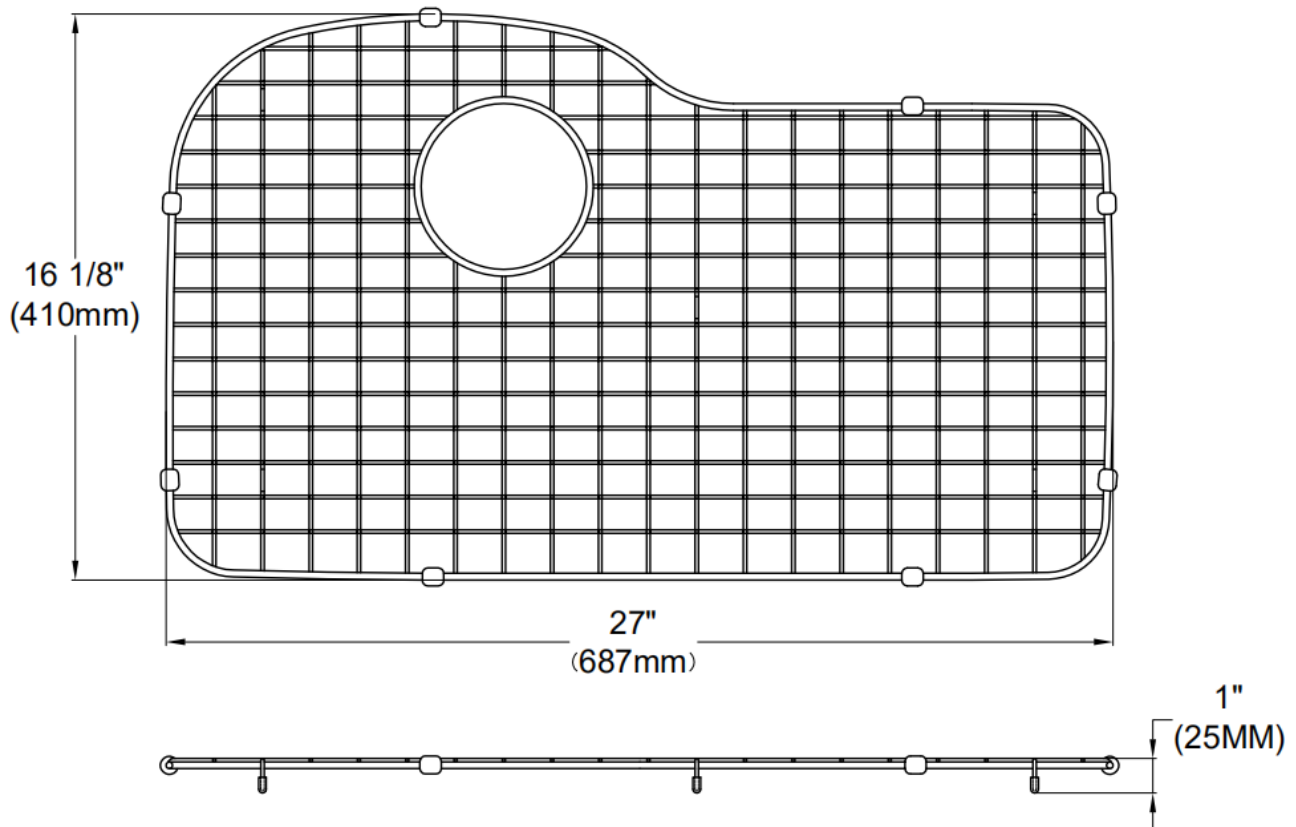


Overall Size: 16-1/8" x 27" x 1"

Drain Placement: Left Rear

Material: Stainless Steel

MLUS3121BG



All dimensions listed are nominal. Mainline® reserves the right to make product and material changes at any time without notice.



Contact your sales representative for more information or visit our website at mainlinecollection.com

Revised 3/19/2020