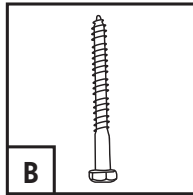
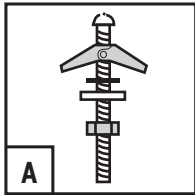


## INSTALLATION

### Pedestal Lavatory



#### INCLUDED PARTS



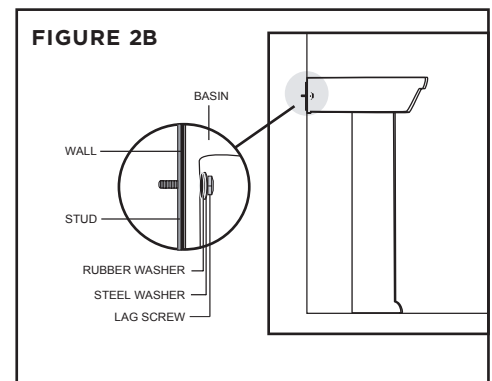
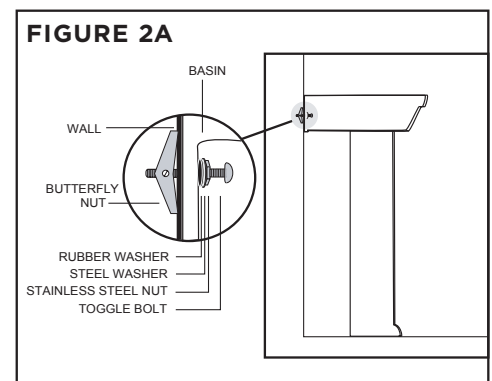
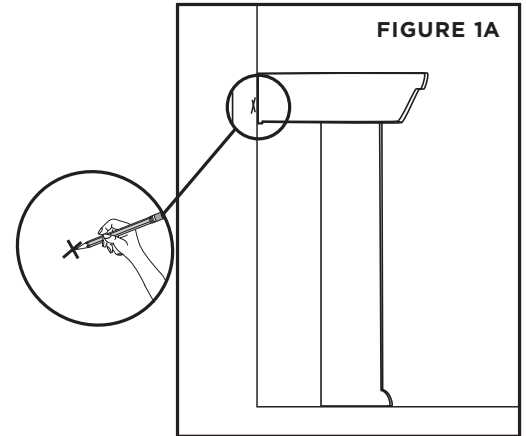
- |                                |    |
|--------------------------------|----|
| <b>A</b> Toggle Bolts and nuts | x2 |
| <b>B</b> Lag Bolts             | x2 |

#### INSTALLATION TIPS

Luxart suggests using a locally licensed plumber for installation.

## Installation

1. Shut off the water supply then disconnect and drain the water supply lines.
2. Locate proper position for pedestal lavatory. Make sure that you have access to all plumbing and drain fittings, door clearance and any other obstructions.
3. Place pedestal basin on pedestal leg and move into the desired position against the wall. Make sure that the pedestal basin is levelled on the pedestal leg. With a pencil, mark the location of the pedestal basin support holes on the wall (**FIGURE 1A**).
4. On marked location on the wall, drill holes with a  $\frac{5}{8}$ " drill bit if the pedestal will not be attached onto a stud. If the pedestal will be mounted onto a stud, then drill holes with a  $\frac{1}{8}$ " drill bit.
5. Carefully remove pedestal basin from pedestal leg and install faucet and pop-up assembly as per the manufacturer's installation instructions.
6. If installing directly onto the wall without a stud, use toggle bolts. Push toggle bolts through the backside of the pedestal basin. Place rubber washer, steel washer and hex nut loosely on the end of the bolt (in this direct order). Then place the pedestal basin on the pedestal leg. Place the complete unit into the desired position on the wall at the same time pushing the toggle bolts through the pre-drilled holes on the wall (**FIGURE 2A**).



### OR

If installing directly onto a stud, use lag screws. Place the pedestal basin on the pedestal leg. Then place the complete unit in the desired position on the wall. Place metal washer and rubber washer onto the lag screw (in this direct order) and at the same time fastening the pedestal basin directly onto the stud by screwing the lag screw into the stud (**FIGURE 2B**).

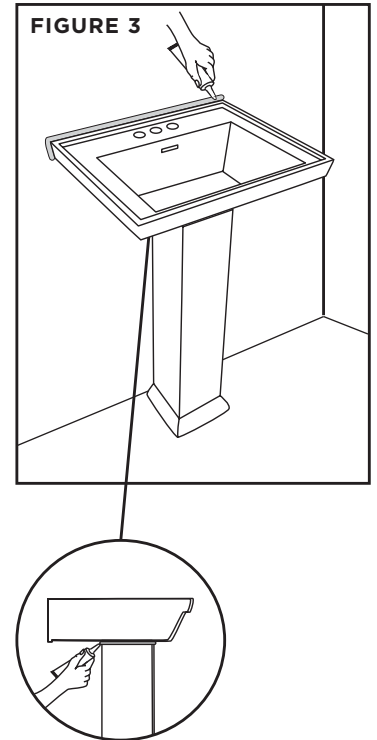
## Installation

7. Tighten hex nut (stud application) or toggle bolt (wall application) until pedestal basin is snug against the wall.

**Caution:** Do not over tighten as this could break the porcelain.

**Note:** Pedestal leg should be supporting the pedestal top, since mounting lips are not designed to hold the weight of the pedestal top.

8. Apply a neat bead of bathroom silicone or caulking around the edge of pedestal basin and where the basin contacts the wall and where the pedestal basin connects onto the pedestal leg (**FIGURE 3**).
9. Complete any final plumbing connections, such as the lavatory supply kit, as per manufacturer's instructions.





Beauty in every detail.

Luxart® products will be covered by Foremost Groups, Inc.'s limited warranty. It is as follows: Foremost warrants its products to be free from defects in material or workmanship (Vitreous China) and 1 year (Parts and Fittings) from the date of purchase original purchaser.

If inspection of this plumbing product, within 5 years (china product) or 1 year (fittings) after its initial purchase, confirms that it is defective in materials Foremost will repair or at its option, exchange the product for a similar model. Foremost provides no warranties or guarantees beyond those in this Limited Foremost

This limited warranty applies only to the original purchaser and installation de- installation and re-installation and transportation costs or charges incidental to warranty services are to be borne by the owner. In no event will Foremost® be liable or replacement of any installation materials, including but not limited to, tiles, marble etc. Foremost will not be responsible for and this warranty does not cover and specifically excludes any liability to the purchaser or any third party for consequential or incidental damages, all which are hereby expressly disclaimed, or the extension beyond the duration any implied warranties, including those of merchantability or fitness for

This warranty does not apply to local building code compliance. Since local building considerably, the purchaser of this product should check with a local building contractor to ensure local code compliance before installation.

Foremost shall not be responsible or liable for any failure or damage to its toilet tank trim, plumbing fittings, or china products caused by the use of either chloramines concentration of chlorine, lime/iron sediments and/or other minerals not removed from public water during the treatment of public water supplies or caused by toilet tank type cleaners containing chlorine, calcium hypochlorite, and /or other chemicals.

This warranty is void if the product has been moved from its initial place been subjected to faulty maintenance, abuse, misuse, accident, or other not installed in accordance with Foremost's instructions; or if it has manner inconsistent with the product as shipped by Foremost.

NOTE: Some states or provinces do not allow the limitations on an implied warranty, and some states/provinces do not allow exclusions or limitations regarding incidental damages, so the above limitations may not apply to you. This warranty gives rights, and you may have other rights, which vary from state to state or person is authorized to change, add to, or creates any warranty or obligation forth herein.

*\*Effective July 1, 2023, due to an update in California law, the start date for product warranties will now be aligned with the date of delivery of the product. This change is for all Luxart products purchased on or after July 1, 2023 by California consumers. (California Legislative Information AB-2912)*