

Valve Only Trim

Garniture robinet seulement
Pieza exterior para válvula

Product Specifications

LUXART®



Poydras®

PO511TLSHV-CP
PO511TLSHV-BN
PO511TLSHV-ORB
PO511TLSHV-PN

FEATURES

- Requires 1800V, 1800V-LS, 1800V-PEXH or 1800V-PEXV Rough-In Valve
- Coordinates with Poydras Suite
- Metal Lever Handle
- 100% Factory Pressure Tested

CARACTÉRISTIQUES

- Valve de robinetterie brute 1800V, 1800V-LS, 1800V-PEXH ou 1800V-PEXV requise
- Coordonné avec l'ensemble Poydras
- Levier en métal
- Pression vérifiée en usine- 100%

CARACTERÍSTICAS

- Válvula enfoscada 1800V, 1800V-LS, 1800V-PEXH o 1800V-PEXV requerida
- Coordina con la suite de Poydras
- Manija de metal
- Probado en fábrica bajo presión al 100%

APPLICABLE STANDARDS/CODES

Specified model meets or exceeds the following:

NORMES ET CODES APPLICABLES

Le modèle spécifié est conforme aux normes suivantes ou les dépasse:

NORMAS Y ESTÁNDARES APLICABLES

El modelo especificado reúne o sobrepasa las siguientes condiciones

- ASME A112.18.1/CSA B125.1
- IAPMO/cUPC
- ADA

AVAILABLE FINISHES / FINIS OFFERTS / DISTINTOS ACABADOS:

- Polished Chrome / Chrome poli / Cromo lustrado (CP)
- PVD Brushed Nickel / PVD Nickel brossé / PVD Níquel cepillado (BN)
- Oil Rubbed Bronze / Bronze poncé à l'huile / Bronze lustrado al aceite (ORB)
- PVD Polished Nickel / PVD Nickel poli / PVD Níquel lustrado (PN)



Contact your sales representative for more information or visit our website at luxartcollection.com

Valve Only Trim

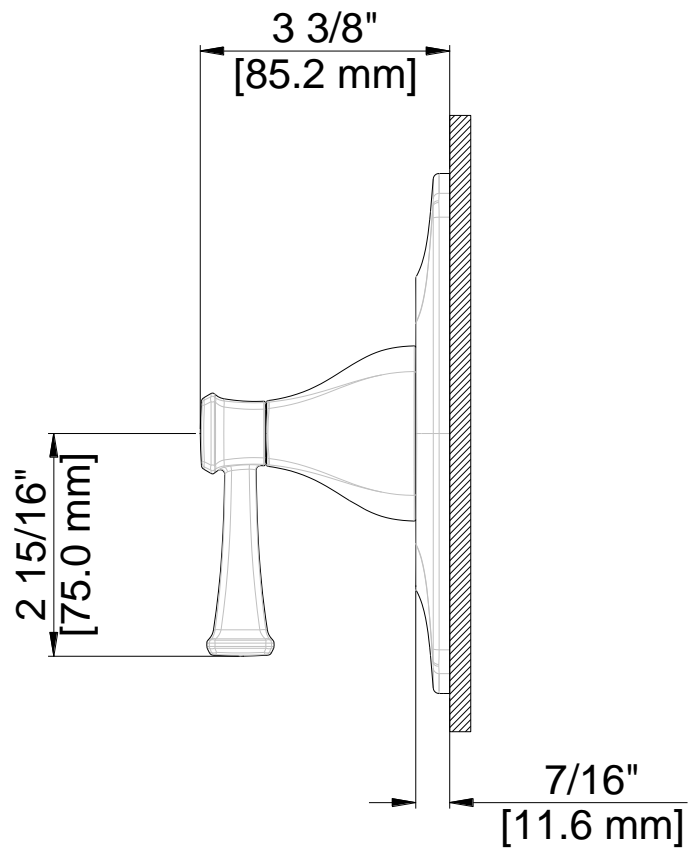
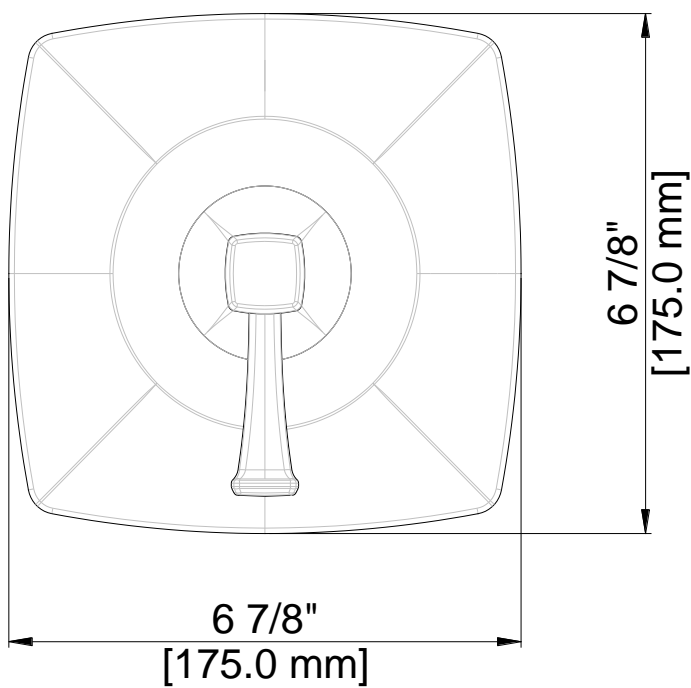
Garniture robinet seulement
Pieza exterior para válvula

Product Specifications

LUXART®

Poydras®

PO511TLSHV-CP
PO511TLSHV-BN
PO511TLSHV-ORB
PO511TLSHV-PN



Contact your sales representative for more information or visit our website at luxartcollection.com

Revised 11/20/2020