



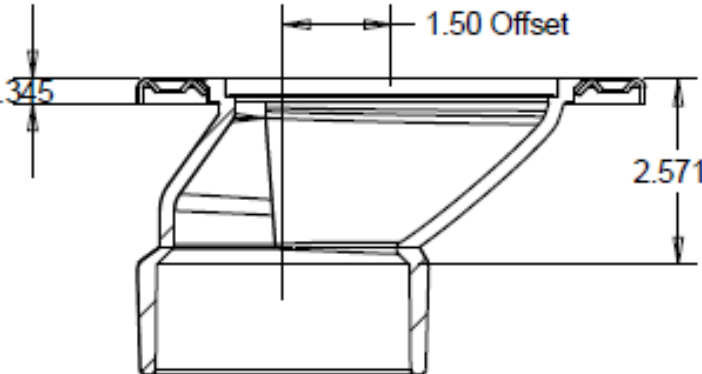
MAINLINE®

Adjustable Ring Offset Closet Flange

Product Specifications

FEATURES

- Fits outside 3" or inside 4" SCH 40 DWV pipe
- Full 3" flow allows for a clog-free drainage opening
- Stainless steel or metal adjustable ring allows for easy alignment of bolts and screws
- 1.5" offset allows for margin of error for pipe flange alignment
- Available in PVC or ABS with and without knockout
- Complies with ASTM D2665 or D2661



✓ To Submit	Part #	Description
	ML86247	3" or 4" PVC Adjustable Metal Ring Offset Closet Flange
	ML86248	3" or 4" ABS Adjustable Metal Ring Offset Closet Flange
	ML86181	3" or 4" PVC Adjustable S/S Ring Offset Closet Flange
	ML86186	3" or 4" ABS Adjustable S/S Ring Offset Closet Flange
	ML86245	3" or 4" PVC Adjustable S/S Ring Offset Closet Flange w/ Test Cap
	ML86246	3" or 4" ABS Adjustable S/S Ring Offset Closet Flange w/ Test Cap

Warranty

See warranty information for more details.

All dimensions listed are nominal. MAINLINE® reserves the right to make product and material changes at any time without notice.



Contact your sales representative for more information or visit our website at mainlinecollection.com