



**MAINLINE®**

# Frost Proof Yard Hydrants

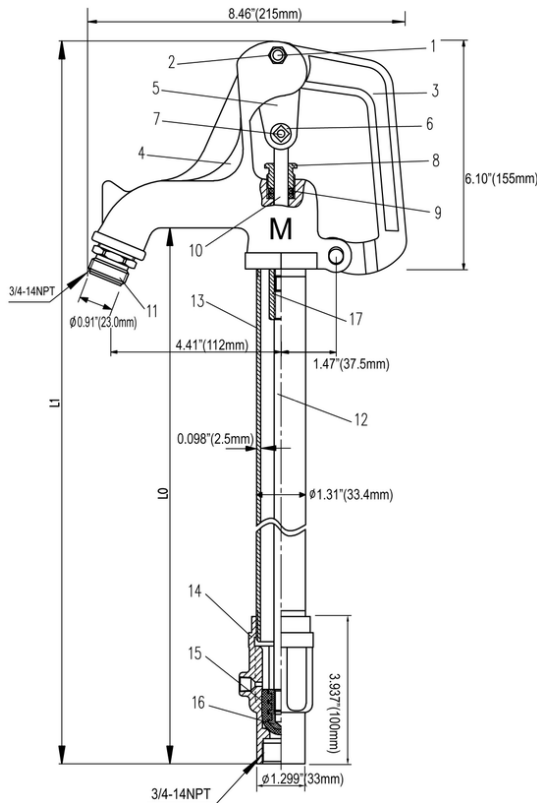
## Product Specifications

### FEATURES

- Plunger is easily adjustable with square head set screw
- Drain port is tapped for 1/8 in. FPT
- Yard hydrant complies with federal lead laws
- 1-piece plunger design provides a positive seal and easy adjustment
- Double o-ring sealing system provides a positive seal
- Brass clevis rod and hose connector
- Heavy duty cast iron head with bucket hook
- Extra large cast iron handle for easy operation
- Self draining when handle is in closed position to prevent freezing



✓ To Submit	Part #	Description	Bury Frost-proof Yard (ft)
	MLHYD2	2FT BURY FROST-PROOF YARD HYDRANT	2
	MLHYD3	3FT BURY FROST-PROOF YARD HYDRANT	3
	MLHYD4	4FT BURY FROST-PROOF YARD HYDRANT	4



<b>MLHYD4</b>	<b>4'</b>	<b>46.37"(1778mm)</b>	<b>75"(1905.0mm)</b>
<b>MLHYD3</b>	<b>3'</b>	<b>58"(1473.2mm)</b>	<b>63"(1600.2mm)</b>
<b>MLHYD2</b>	<b>2'</b>	<b>46"(1168.4mm)</b>	<b>51"(1295.4mm)</b>
<b>ITEM NO</b>	<b>SIZE</b>	<b>L0</b>	<b>L1</b>

17	ML-17	COUPLING	1	STEEL (Q195)	ZINC PLATED
16	ML-16	INSERT	1	BRASS (HPb59-3)	PLAIN
15	ML-15	PLUNGER	1	RUBBER (NBR220)	BLACK
14	ML-14-X	BOTTOM VALVE	1	BRASS (HPb59-1/3)	ROUGH
13	ML-13-XX	PIPE	1	STEEL (Q195)	GALVANIZED
12	ML-12-XX	LOWER CLEVIS ROD	1	STEEL (Q195)	ZINC PLATED
11	ML-11	HOSE CONNECTOR	1	BRASS (HPb59-3)	PLAIN
10	ML-10	UPPER CLEVIS ROD	1	BRASS (HPb59-3)	PLAIN
9	ML-09	O-RING	2	RUBBER (NBR220)	BLACK
8	ML-08	PACKING NUT	1	BRASS (HPb59-3)	PLAIN
7	ML-07	SET SCREW	1	STEEL (#45)	ZINC PLATED
6	ML-06	CONNECTOR	1	BRASS (HPb59-3)	PLAIN
5	ML-05	LINK	2	STEEL (SPCC)	ZINC PLATED
4	ML-04	HEAD	1	GRAY IRON (HT200)	BLUE COATING
3	ML-03PP	HANDLE	1	GRAY IRON (HT200)	BLUE COATING
2	ML-02	FULCRUM NUT	1	STEEL (Q195)	ZINC PLATED
1	ML-01	FULCRUM BOLT	1	STEEL (Q195)	ZINC PLATED
NO	PART NO	DESCRIPTION	QTY	MATERIAL	FINISH

### Warranty

See warranty information for more details.

All dimensions listed are nominal. MAINLINE® reserves the right to make product and material changes at any time without notice.



Contact your sales representative for more information or visit our website at [mainlinecollection.com](http://mainlinecollection.com)