



Brass Ball Valve, Threaded

Product Specifications

✓ To Submit	Part #	Size
	ML5592F-1/2	1/2"
	ML5592F-3/4	3/4"
	ML5592F-1	1"
	ML5592F-11/4	1-1/4"
	ML5592F-11/2	1-1/2"
	ML5592F-2	2"

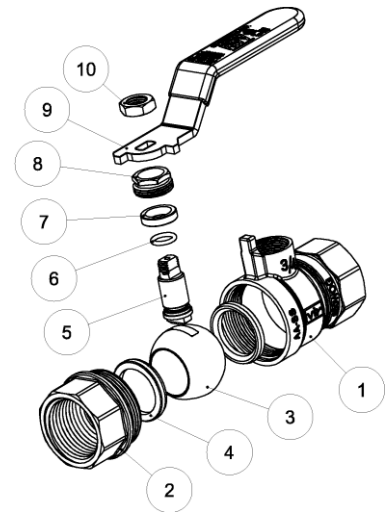
Product Features:

- 150# WSP / 600# WOG
- 2-Piece Brass Body
- Full Port
- Chrome-Plated Ball
- Virgin PTFE Seats
- Adjustable Packing Nut
- Blow-Out Proof Stem
- Threaded Ends
- CSA 1/2 PSI (1/2" - 3")



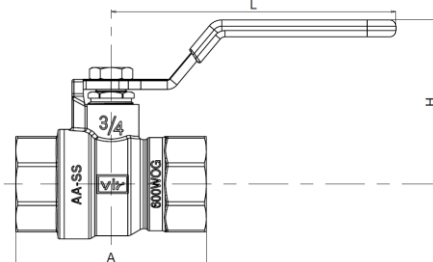
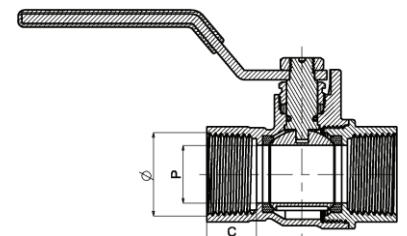
Materials & Specifications:

Item	Description	Material	Specification
1	Body	Brass	B283 C37700
2	End Piece	Brass	B283 C37700
3	Ball	Brass / Cr Plated	B283 C37700
4	Seat	PTFE	PTFE
5	Stem	Brass	B283 C37700
6	O-ring	FKM	FKM
7	Packing	PTFE	PTFE
8	Packing Nut	Brass	B124 C37700
9	Handle	Steel / De Plated	A36 Dacromet
10	Handle Nut	Steel / Zn Plated	A36



Dimensions (inches), Weights (lbs.), & Valve Data:

Size	1/4"	3/8"	1/2"	3/4"	1"	1-1/4"	1-1/2"	2"	2-1/2"	3"
A	1.77	1.77	2.17	2.4	2.91	3.31	3.54	4.09	5.31	6.02
C	0.45	0.45	0.61	0.63	0.75	0.77	0.77	0.79	1.06	1.14
H	1.54	1.54	1.93	2.05	2.36	2.6	2.87	3.25	4.17	4.53
L	3.19	3.19	3.58	3.58	4.96	4.96	5.55	5.55	7.91	11.06
P	0.39	0.39	0.5	0.73	0.95	1.22	1.46	1.95	2.44	2.91
Cv	8	8	11	26	55	103	111	353	409	530
Wt	0.28	0.28	0.43	0.59	1.01	1.4	1.91	3.05	6.33	8.5



Pressure/Temperature Ratings	
600 PSI from 15°F to 160°F	150 PSI Max at 366°F

Warranty

See warranty information for more details.

All dimensions listed are nominal. MAINLINE® reserves the right to make product and material changes at any time without notice.



Contact your sales representative for more information or visit our website at mainlinecollection.com