

# 701

## Thermostat Application Guide

Description	
Gas or Oil Heat	Yes
Electric Furnace	Yes
Heat Pump (No Aux. or Emergency Heat)	Yes
Heat Pump (With Aux. or Emergency Heat)	No
Multi-Stage Systems	No
Heat Only Systems	Yes
Heat Only Systems - Floor or Wall Furnace	Yes
Cool Only	Yes
Millivolt	Yes

## Table of Contents

Page	
1	Specifications
2-3	Installation Tips
4	Thermostat Quick Reference
5	Wiring
6	Wiring Diagrams
7-8	Technician Setup

## Specifications

The display range of temperature ... 41°F to 95°F (5°C to 35°C)  
 The control range of temperature.... 44°F to 90°F (7°C to 32°C)  
 Swing (cycle rate or differential) ..... Heating is adjustable from 0.2° to 2.0°  
 Cooling is adjustable from 0.2° to 2.0°  
 Power source ..... 18 to 30 VAC, NEC Class II, 50/60 Hz for hardwire  
 Battery power from 2 AA Alkaline batteries  
 Operating ambient ..... 32°F to +105°F (0°C to +41°C)  
 Operating humidity ..... 90% non-condensing maximum  
 Dimensions of thermostat ..... 4.7"W x 4.4"H x 0.8"D

## Power Type

Battery Power  
 Hardwire (Common Wire)  
 Hardwire (Common Wire) with Battery Backup

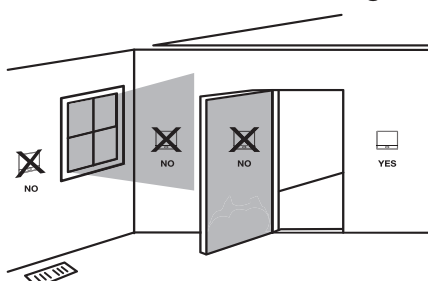
**A trained, experienced technician must install this product.**

Carefully read these instructions. You could damage this product or cause a hazardous condition if you fail to follow these instructions.

Una version en español de este manual se puede descargar en la pagina web de la compañía.

## Wall Locations

The thermostat should be installed approximately 4 to 5 feet above the floor. Select an area with average temperature and good air circulation.



### Do not install thermostat in locations:

- Close to hot or cold air ducts
- That are in direct sunlight
- With an outside wall behind the thermostat
- In areas that do not require conditioning
- Where there are dead spots or drafts (in corners or behind doors)
- Where there might be concealed chimneys or pipes

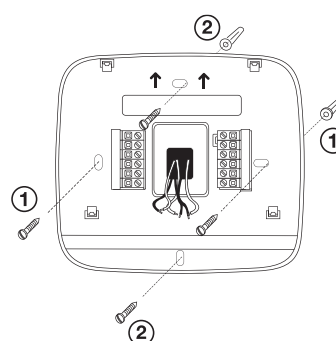


### Installation Tip

Pick an installation location that is easy for the user to access. The temperature of the location should be representative of the building.

## Subbase Installation

- ① Horizontal Mount
- ② Vertical Mount



For vertical mount put one screw on the top and one screw on the bottom.  
 For horizontal mount put one screw on the left and one screw on the right.



### Installation Tip: Electrical Hazard

Failure to disconnect the power before beginning to install this product can cause electrical shock or equipment damage.



### Mercury Notice

All of our products are mercury free. However, if the product you are replacing contains mercury, dispose of it properly. Your local waste management authority can give you instructions on recycling and proper disposal.

1 © U.S. Registered Trademark. Patents pending  
 Copyright © 2019 All Rights Reserved.

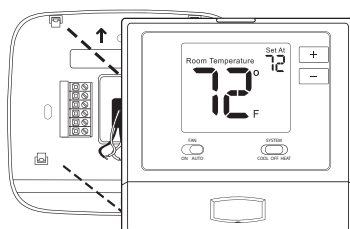
Rev. 1915

2

## Installation Tips

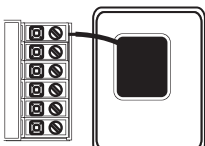
### Mount Thermostat

Align the 4 tabs on the subbase with corresponding slots on the back of the thermostat, then push gently until the thermostat snaps in place.



### Battery Installation

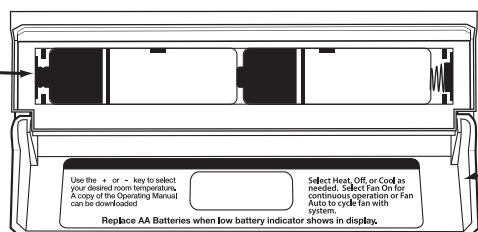
Battery installation is recommended even if thermostat is hardwired (C terminal connected). When thermostat is hardwired and batteries are installed, the thermostat will activate a compressor delay of 5 minutes when the thermostat detects a power outage from the hardwired power supply.



### Important:

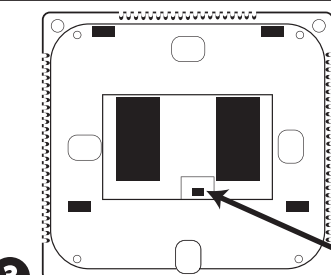
High quality alkaline batteries are recommended. Rechargeable batteries or low quality batteries do not guarantee a 1-year life span.

Insert 2 AA Alkaline batteries (included). High quality alkaline batteries are recommended.



Simple operating instructions are found on the back of the battery door.

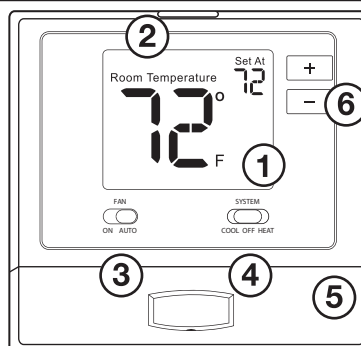
### Gas or Electric Setup



**Gas:** For systems that control the fan during a call for heat, put the fan operation switch to the GAS position.  
**Electric:** For systems that do not control the fan during a call for heat, put the fan operation switch to the ELECTRIC position.

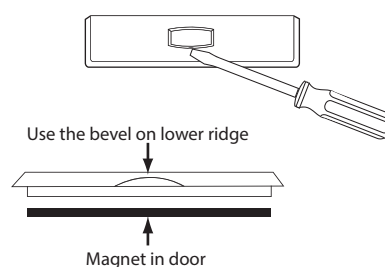
### Fan Operation Switch

## Getting to know your thermostat



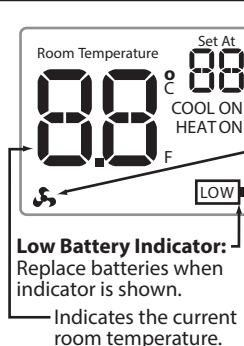
- ① LCD
- ② Glow in the dark light button
- ③ Fan switch
- ④ System switch
- ⑤ Easy change battery door
- ⑥ Temperature setpoint buttons

### Removing The Private Label Badge



### About The Badge

All of our thermostats use the same universal magnetic badge. Visit the company website to learn more about our free private label program.



Displays the selected setpoint temperature.

**System Operation Indicators:**  
 The COOL ON, HEAT ON or icon will display when the COOL, HEAT, or (fan) is on.

**NOTE:** The compressor delay feature is active if these icons are flashing. The compressor will not turn on until the 5 minute delay has elapsed.

**Low Battery Indicator:**  
 Replace batteries when indicator is shown.  
 Indicates the current room temperature.



### Important

The low battery indicator is displayed when the AA battery power is low. If the user fails to replace the battery within 21 days, the screen will only show the low battery indicator but maintain all functionality. If the user fails to replace the batteries after an additional 21 days (days 22-42 since first "low battery" display) the setpoints will change to 55°F (Heating) and 85°F (Cooling). If the user adjusts the setpoint away from either of these, it will hold for 4 hours then return to either 55°F or 85°F. After day 63 the batteries must be replaced immediately to avoid freezing or overheating because the thermostat will shut the unit off until the batteries are changed.

3

4



**Caution: Electrical Hazard**

Failure to disconnect the power before beginning to install this product can cause electrical shock or equipment damage.



**Warning:**

All components of the control system and the thermostat installation must conform to Class II circuits per the NEC Code.

**Wiring**

1. If you are replacing a thermostat, make note of the terminal connections on the thermostat that is being replaced. In some cases the wiring connections will not be color coded. For example, the green wire may not be connected to the **G** terminal.
2. Loosen the terminal block screws. Insert wires then retighten terminal block screws.
3. Place nonflammable insulation into wall opening to prevent drafts.



**Installation Tip**

Do not overtighten terminal block screws, as this can damage the terminal block. A damaged terminal block can keep the thermostat from fitting on the subbase correctly or cause system operation issues.

**Max Torque = 6in-lbs.**

**Terminal Designations**

- C** Common wire from secondary side of cooling system transformer
- O** Heat pump changeover valve energized in cooling
- B** Heat pump changeover valve energized in heating
- W** Heat relay
- RH** Transformer power for heating
- RC** Transformer power for cooling
- G** Fan relay
- Y** Compressor relay

**Wiring Tips**

**RH & RC Terminals**

For single transformer systems, leave the jumper wire in place between RH and RC. Remove jumper wire for two transformer systems.

**Heat Pump Systems (With NO AUX or Emergency Heat)**

If wiring to a heat pump, use a small piece of wire (not supplied) to connect terminals W and Y.

**C Terminal**

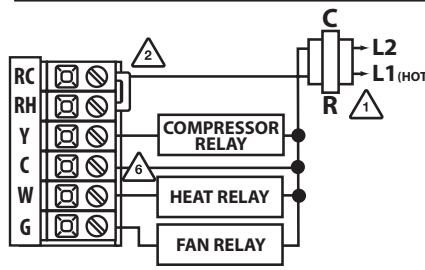
The C (common wire) terminal does not have to be connected when the thermostat is powered by batteries.

**Wire Specifications**

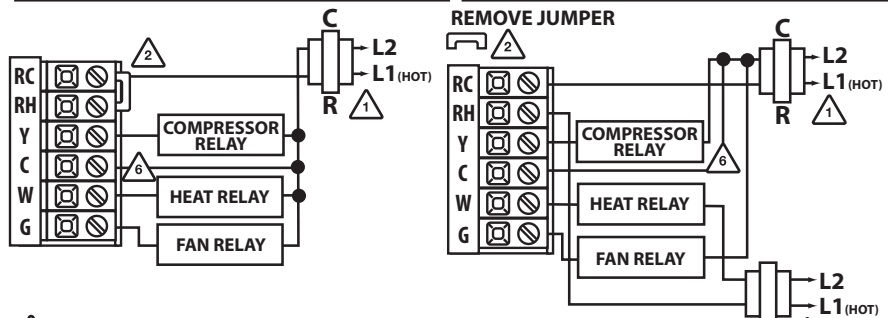
Use shielded or non-shielded 18-22 gauge thermostat wire.

- 1 Power supply
- 2 Factory-installed jumper. Remove only when installing on 2-transformer systems
- 3 Use either **O** or **B** terminals for changeover valve
- 4 Use a small piece of wire (not supplied) to connect **W** and **Y** terminals
- 5 Set fan operation switch to Electric
- 6 Optional 24 VAC common connection when thermostat is used in battery power mode

Typical 1H/1C System: 1 Transformer

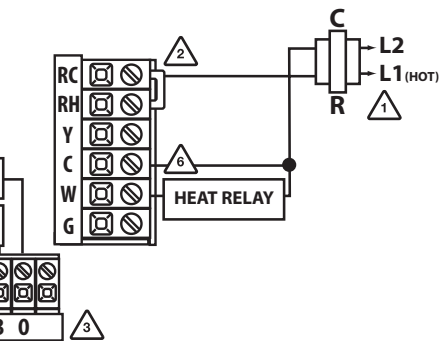
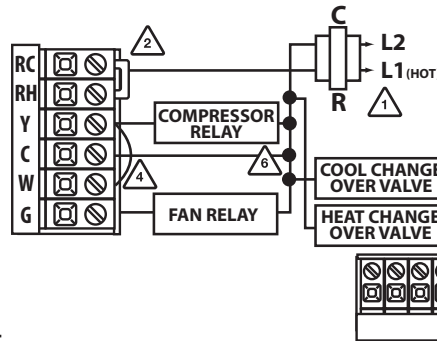


Typical 1H/1C System: 2 Transformer

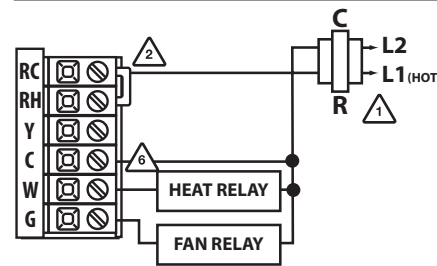


5 > Typical 1H/1C Heat Pump System

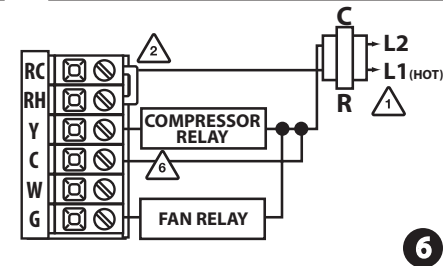
Typical Heat-Only System



Typical Heat Only System With Fan



Typical Cool-Only System



5

6

**Technician Setup**

**Tech Settings**

1. Select OFF with the System Switch.
2. Hold down the + and - buttons together for 3 seconds.
3. Use the + and - to change setting for that step, and the glow in the dark light button to move from one step to another.

**To exit Tech Settings, slide the System Switch to a different position or wait approximately 20 seconds.**

Tech Settings	LCD Will Show	Adjustment Options	Default
Room Temperature Calibration	CR 0	You can adjust the room temperature display to read 4° above or below the factory calibrated reading.	0
Compressor Short Cycle Delay	CD 07	Selecting "ON" will not allow the compressor to be turned on for 5 minutes after the last time the compressor was switched off. Select "OFF" to remove this delay.	ON
F or C	FC OF	F for Fahrenheit C for Celsius	F

7

**Swing & Limit Settings**

1. Select Heat or Cool with the System Switch. They are set separately.
2. Hold down the + and - buttons together for 3 seconds.
3. Use the + and - to change setting for that step, and the glow in the dark light button to move from one step to another.

**To exit Swing & Limit Settings, slide the System Switch to a different position or wait approximately 20 seconds.**

Swing & Limit Settings	LCD Will Show	Adjustment Options	Default
Cooling Swing	CO 0.5	The swing setting often called "cycle rate", "differential" or "anticipation" is adjustable. A smaller swing setting will cause more frequent cycles and a larger swing setting will cause fewer cycles.	0.5
Cooling Setpoint Limit	L 44	This feature allows you to set a minimum cool setpoint value. The setpoint temperature can't be lowered below this value.	44
Heating Swing	HE 0.4	The swing setting often called "cycle rate", "differential" or "anticipation" is adjustable. A smaller swing setting will cause more frequent cycles and a larger swing setting will cause fewer cycles.	0.4
Heating Setpoint Limit	H 90	This feature allows you to set a maximum heat setpoint value. The setpoint temperature can't be raised above this value.	90

**Swing Setting Tip**

Temperature swing, sometimes called differential or cycle rate, can be customized for this individual application. For most applications choose a swing setting that is as wide as possible without making the occupants uncomfortable.

8

Operation Manual

Operation Manual

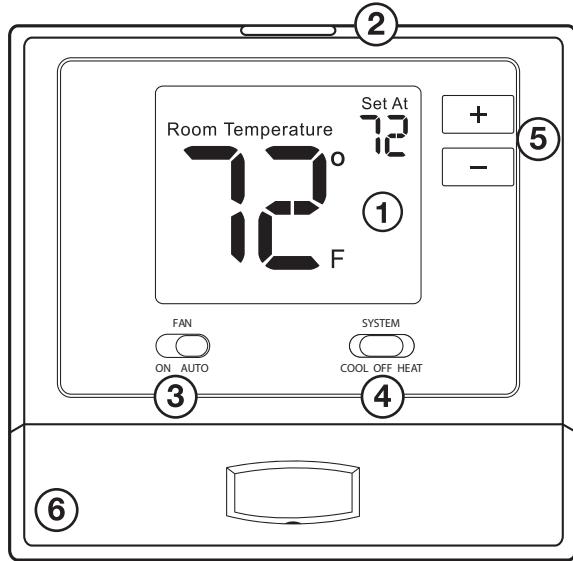
Table of Contents	Page
Table of Contents	1
Thermostat Operation	2-3
Thermostat Quick Reference	4-6
Thermostat Warranty Information	7

Una version en español de este manual se puede descargar en la pagina web de la compañía.



## Caution

Equipment damage hazard. Do not operate the cooling system if the outdoor temperature is below 50 °F (10 °C) to prevent possible compressor damage.



① LCD Display

② Glow in the dark light button

③ Fan Switch

④ System Switch

⑤ Temperature Setpoint Buttons

⑥ Easy change battery door

## ① LCD Display

See page 6 for details about this display read out.

## ② Glow in the dark light button

The glow in the dark light button will self illuminate for several hours after exposure to ambient light. This button turns on the display light when pressed.

## ③ Fan Switch

Select **ON** or **AUTO**. **ON** will run the fan continuously. **AUTO** will cycle the fan on only when the heating or cooling system is on.

## ④ System Switch

Selects the operation mode on your HVAC system. Selecting **HEAT** turns on the heat mode. Selecting **COOL** turns on the cool mode. Selecting **OFF** turns both heating and cooling off.

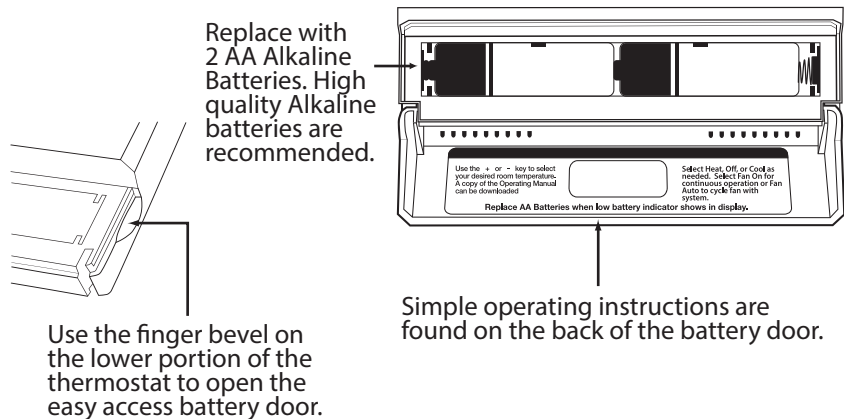
## ⑤ Temperature Setpoint Buttons

Press the + or - buttons to select the desired room temperature.

## ⑥ Easy Change Battery Door

See page 4 for details.

## Battery Door Information



### Important:

The low battery indicator is displayed when the AA battery power is low. If the user fails to replace the battery within 21 days, the screen will only show the low battery indicator but maintain all functionality. If the user fails to replace the batteries after an additional 21 days (days 22-42 since first "low battery" display) the setpoints will change to 55°F (Heating) and 85°F (Cooling). If the user adjusts the setpoint away from either of these, it will hold for 4 hours then return to either 55°F or 85°F. After day 63 the batteries must be replaced immediately to avoid freezing or overheating because the thermostat will shut the unit off until the batteries are changed.



### Caution:

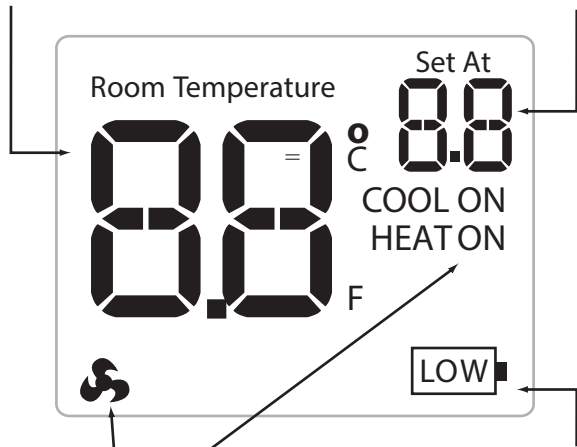
When the battery icon **LOW** appears replace your AA batteries immediately. Failure to do so may result in your heating & cooling system becoming inoperable. Freezing or overheating can occur.

### Room Temperature:

Indicates the current room temperature.

### Setpoint Temperature:

Displays the selected setpoint temperature.



### System Operation Indicators:

The COOL ON, HEAT ON or fan icon will display when the COOL, HEAT or fan (fan) is on.

**NOTE:** The compressor delay feature is active if these icons are flashing. The compressor will not turn on until the 5 minute delay has elapsed.

### Low Battery Indicator:

Replace batteries when indicator is shown.

## Warranty Registration

Your new thermostat has a 5 year limited warranty. You must register your thermostat within 60 days of installation. Without this registration the warranty period will begin on date of manufacture. For warranty issues please contact the HVAC professional that installed this product. You can register your new thermostat in 2 ways:

### Online

Go to the [pro1iaq.com](http://pro1iaq.com), select warranty registration and fill out a short registration form.

### Mail

Complete the form below and mail it to the address shown.

## Warranty Registration

Name: \_\_\_\_\_ Thermostat Model: \_\_\_\_\_

Address: \_\_\_\_\_ Date Installed: \_\_\_\_\_

City: \_\_\_\_\_ Complete form and mail to:

State: \_\_\_\_\_ **Thermostat Warranty Registration**

Zip: \_\_\_\_\_ P.O. Box 3377

Springfield, MO 65808-3377

**Cut Out For  
Warranty Registration**

