

Push Connect[®] Brass Quarter-Turn Angle Stops, Chrome Plated

Product Specifications



PRODUCT FEATURES

- Forged Lead Free* Brass
- Maximum Working Pressure: 200 PSI
- Maximum Temperature Rating: 200° F
- Compatible with Copper, CPVC, PEX & PE-RT
- Replaceable O-Ring Seal Design
- Removable and Reusable
- Push to Connect
- Full Flow
- Available with Pre-Inserted Stiffener



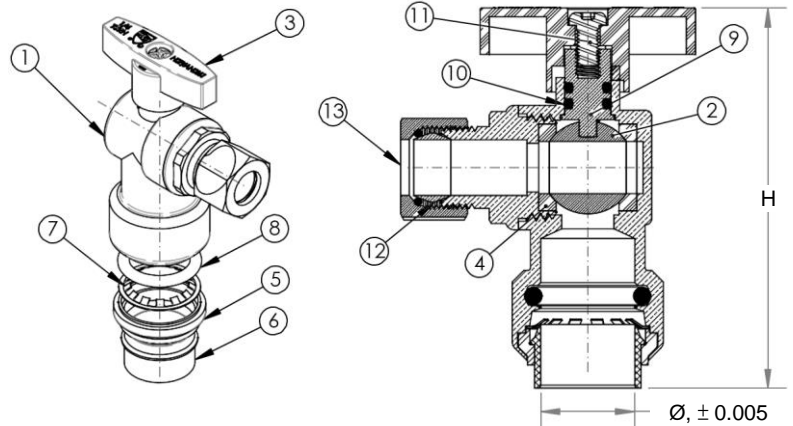
APPROVED APPLICATIONS

- Plumbing
- Heating
- Irrigation
- Underground
- Hydronic Heating
- Behind Walls without Access Panel

NOTE: When using PEX, a tube stiffener should be inserted into the PEX tubing end prior to insertion into the fitting.

MATERIALS & SPECIFICATIONS

#	Component	Material
1	Body	LF Brass / Chrome Plated
2	Ball	Chrome Plated
3	Handle	Chrome Plated
4	Seat	Nylon
5	Retaining Ring	POM
6	Release Ring	POM
7	Grip Ring	Stainless Steel
8	O-ring	EPDM
9	Stem	Lead Free Brass
10	Stem Seal	NBR
11	Screw	Stainless Steel
12	Ring	Lead Free Brass
13	Head Nut	Chrome Plated Brass



DIMENSIONS

#	Ø	H
ML23336LF	0.64	2.53
ML23036LF	0.64	2.58
ML23336LF-S	0.64	2.53
ML23036LF-S	0.64	2.58

✓ To Submit	Part #	Size
	ML23336LF	1/2" x 1/4" OD
	ML23036LF	1/2" x 3/8" OD
	ML23336LF-S	1/2" x 1/4" OD w/ Stiffener
	ML23036LF-S	1/2" x 3/8" OD w/ Stiffener

FORCES FOR MECHANICAL SEPARATION TEST

Nominal Size		Longitudinal (Pull) Test	
Inches	mm	Lbf	N
3/8 or <	10 or <	100	444.8
1/2	13	150	667

Warranty

See warranty information for more details.

All dimensions listed are nominal. MAINLINE® reserves the right to make product and material changes at any time without notice.



Contact your sales representative for more information or visit our website at mainlinecollection.com