



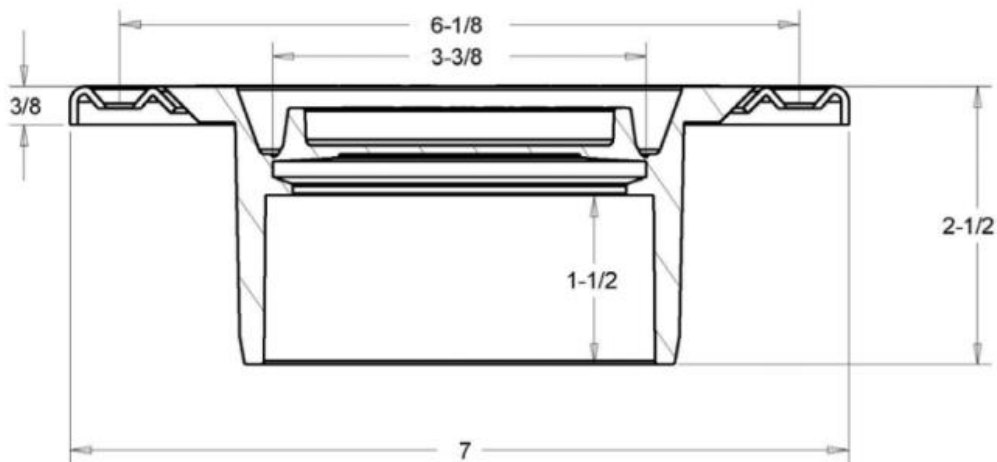
# One Piece SS Ring Closet Flange with Test Cap

## Product Specifications

MAINLINE®

### FEATURES

- Fits outside 3" or inside 4" SCH 40 DWV pipe
- Test Cap breaks out in one piece and will not fall down drain line
- Inset test cap cannot be damaged by construction equipment
- Beveled hub design allows easier insertion into 4" foam core pipe
- Available in PVC or ABS with adjustable stainless steel ring



✓ To Submit	Part #	Description	Units / Case
	ML11311	3" or 4" PVC S/S Ring Closet Flange w/ Test Cap	20
	ML11312	3" or 4" ABS S/S Ring Closet Flange w/ Test Cap	20

### Warranty

See warranty information for more details.

All dimensions listed are nominal. MAINLINE® reserves the right to make product and material changes at any time without notice.



Contact your sales representative for more information or visit our website at [mainlinecollection.com](http://mainlinecollection.com)