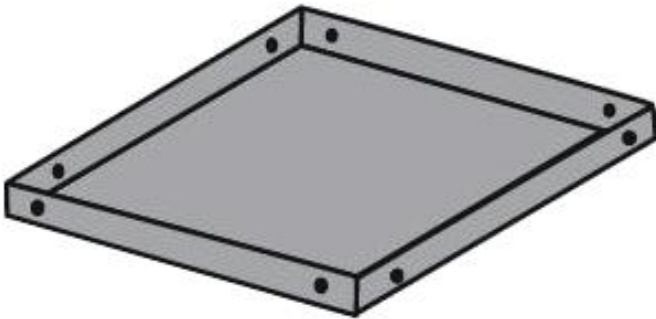


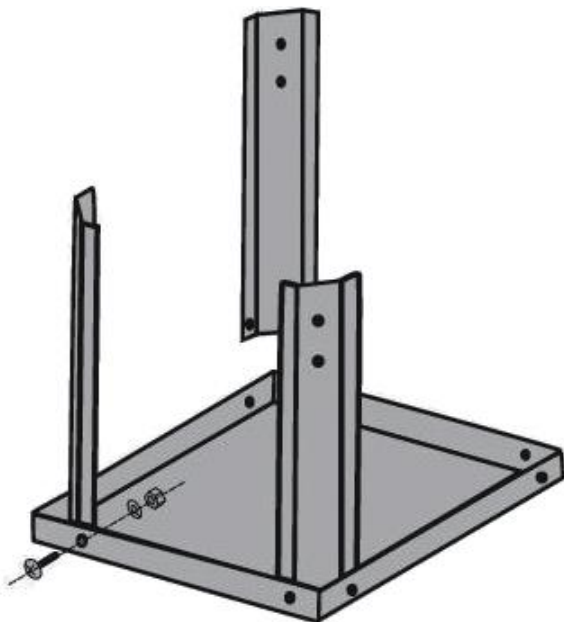
Water Heater Stand Installation Instructions

STEP 1

With the water heater platform upside down connect legs to platform using the nuts and bolts provided.



Turn platform upside down



Attach legs to platform with nuts and bolts

STEP 2

Insert the first brace with the opening facing down and attach to the legs. Insert the second brace with the opening facing up and attach to the legs. Secure both braces with the nuts and bolts provided.

