

SILGRANIT®

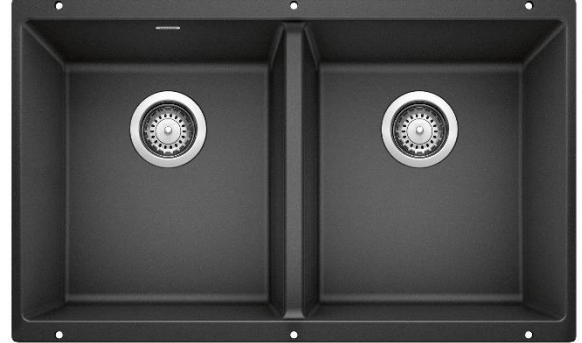
Double Bowl 50/50 Undermount

Product Specifications

LUXART®

MODELS

- LX516322 Double Bowl, 7-7/8" bowl depth, ANTHRACITE
- LX516323 Double Bowl, 7-7/8" bowl depth, CAFÉ
- LX519050 Double Bowl, 7-7/8" bowl depth, CINDER
- LX442927 Double Bowl, 7-7/8" bowl depth, COAL BLACK
- LX516319 Double Bowl, 7-7/8" bowl depth, METALLIC GRAY
- LX527401 Double Bowl, 7-7/8" bowl depth, SOFT WHITE
- LX517678 Double Bowl, 7-7/8" bowl depth, TRUFFLE
- LX527410 Double Bowl, 7-7/8" bowl depth, VOLCANO GRAY
- LX516320 Double Bowl, 7-7/8" bowl depth, WHITE



Model LX516322 shown in ANTHRACITE
* basket strainer not included

FEATURES

- Minimum cabinet size: 33"
- 80% solid granite
- Heat resistant up to 536°F
- Unsurpassed cleanability backed by industry leading 7 patents!
- Resistant to scratches, stains and all household acids and alkali solutions
- Template provided
- Limited lifetime warranty

OPTIONAL ACCESORIES

- Decorative Disposal Flange
- Decorative Basket Strainer Drain Assembly

CODE/STANDARDS COMPLIANCE

CSA B45.8-18
IAPMO/UPC listed

NOMINAL DIMENSIONS

OVERALL	CUTOUT SIZE	BOWL DEPTH	DRAIN DIAMETER
29-3/4" X 18-1/8"	Template Provided	7-7/8"	3-1/2"

DFX cutout templates available on our website

All dimensions listed are nominal. Luxart® reserves the right to make product and material changes at any time without notice.



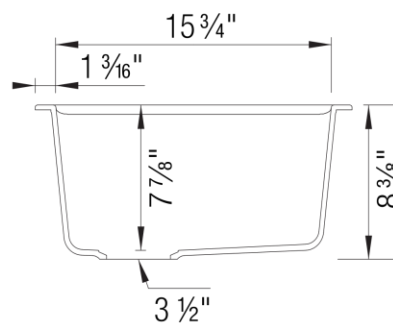
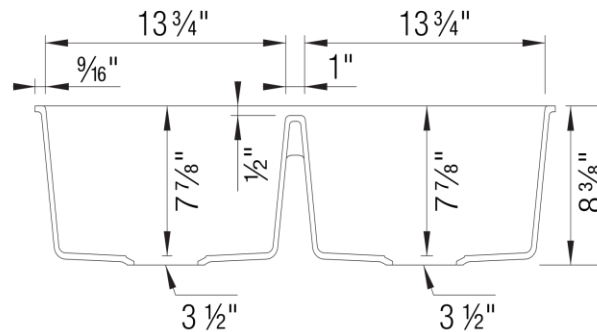
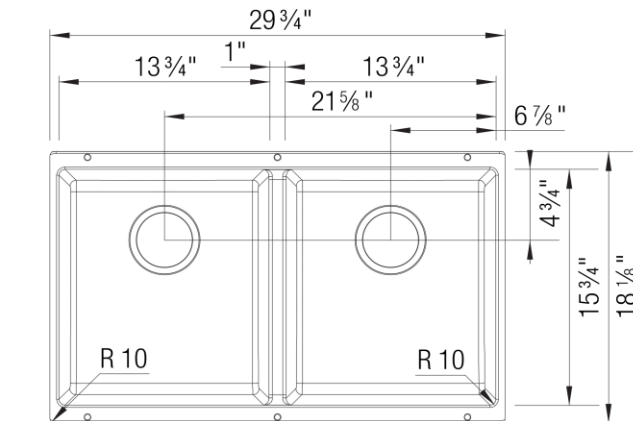
Contact your sales representative for more information or visit our website at luxartcollection.com

SILGRANIT®

Double Bowl 50/50 Undermount

Product Specifications

LUXART®



Contact your sales representative for more information or visit our website at luxartcollection.com