

# FRANCISCA

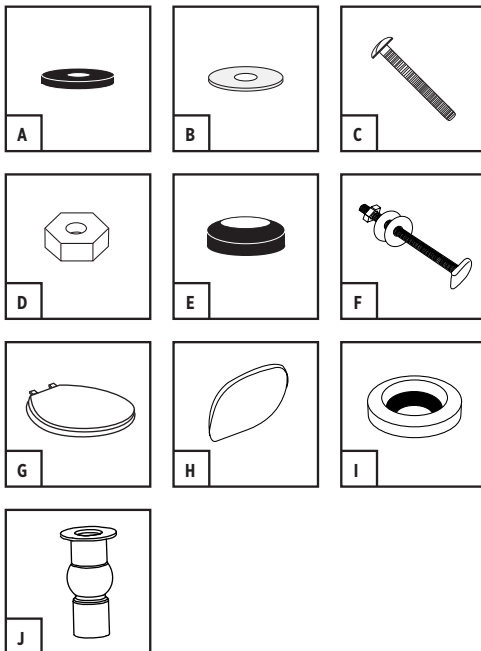
**LXS10001**  
**LXS10002**

## INSTALLATION

### Two-Piece Concealed Toilet with Side Caps



#### INCLUDED PARTS



<b>A</b>	Rubber Bolt Washers	x2
<b>B</b>	Metal Washers	x4
<b>C</b>	Metal Tank Bolts	x2
<b>D</b>	Metal Nuts	x4
<b>E</b>	Large Rubber Sealing Gasket	x1
<b>F</b>	Floor Bolts	x2
<b>G</b>	Plastic Toilet Seat	x1
<b>H</b>	Oval Side Caps	x2
<b>I</b>	Wax Ring	x1
<b>J</b>	Toilet Seat Bolts	x2

#### INSTALLATION TIPS

Luxart suggests using a locally licensed plumber for installation.

## Installation

1. Install tank to bowl as per diagram (FIGURE 1).

**IMPORTANT NOTE REGARDING WATER SUPPLY:** Before installation ensure that the shut-off valve is greater than 7½" from the center of the drain to the center of the shut-off valve and less than or equal to 7" from the floor (FIGURE 2).

**Note:** This is a true 12" rough-in from finished wall to center of the drain (no less than 12".)

2. Remove old floor bolts from floor flange. Clean any old wax, putty, etc. from base area.
3. Install new floor bolts into floor flange using plastic retaining washers to secure bolts. Adjust the floor bolts to ensure they are parallel to the wall (FIGURE 3).
4. Connect water supply line to the tank fitting only (FIGURE 4)

**DO NOT CONNECT WATER SUPPLY LINE TO SUPPLY VALVE**

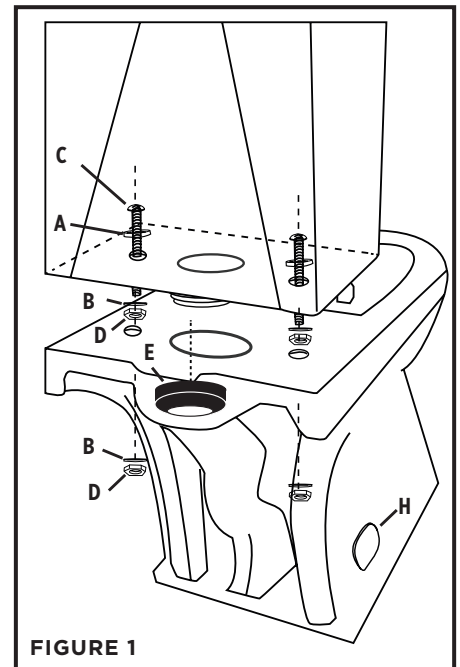


FIGURE 1

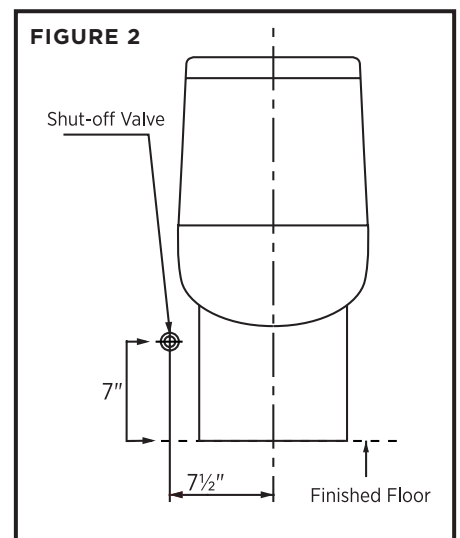


FIGURE 2

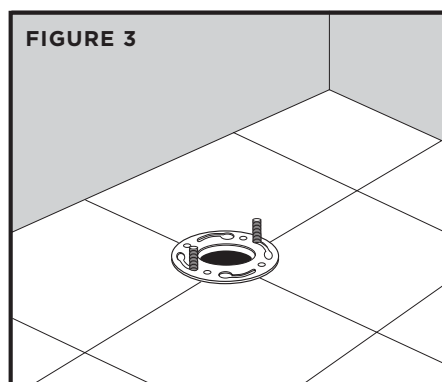


FIGURE 3

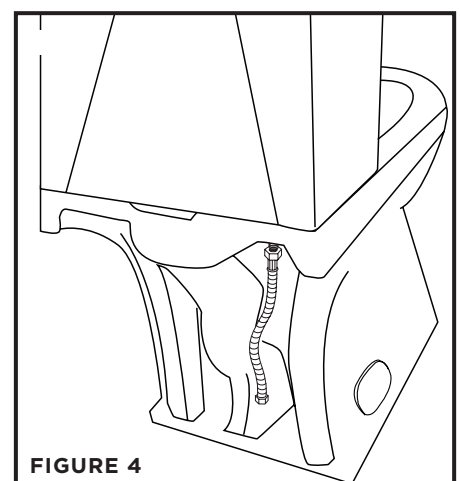
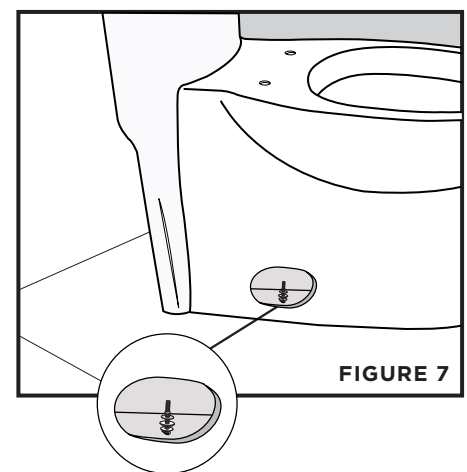
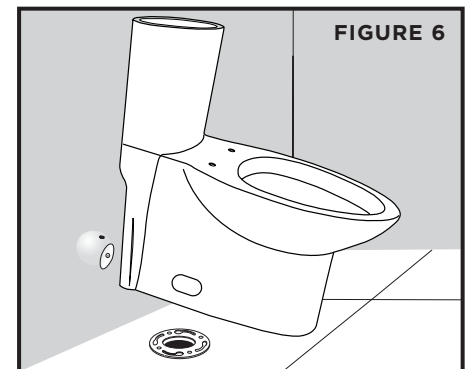
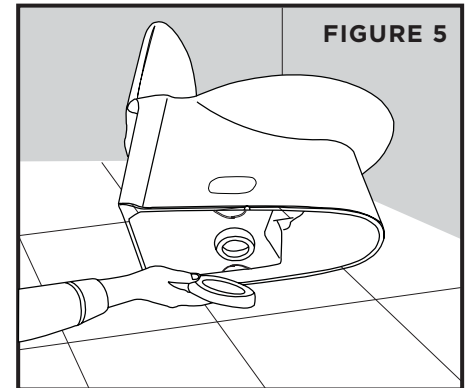


FIGURE 4

## Installation

5. Turn the toilet sideways onto a soft surface to avoid scratches on the finish. Place a new wax ring around the waste flange of the toilet bowl and press firmly to adhere the wax ring to the bowl (**FIGURE 5**).
6. Lower the toilet onto the floor bolts, so the bolts project through mounting holes in base of toilet (**FIGURE 6**). Using a rocking motion, press the bowl down to position the toilet onto the flange.
7. Install metal washers and nuts onto the floor bolts (**FIGURE 7**). Tighten the bolts alternately until toilet is firmly seated on the floor.



**Caution:** Do not overtighten nuts, severe damage may occur.

8. Attach the plastic decorative caps on each side of the bowl.
9. Connect flexible water supply line (not included) directly to the shutoff valve. Tighten coupling nuts securely.
10. Turn on supply valve and allow tank to fill until float rises to shutoff position.
11. Check for leakage at fittings, tighten or correct as needed.

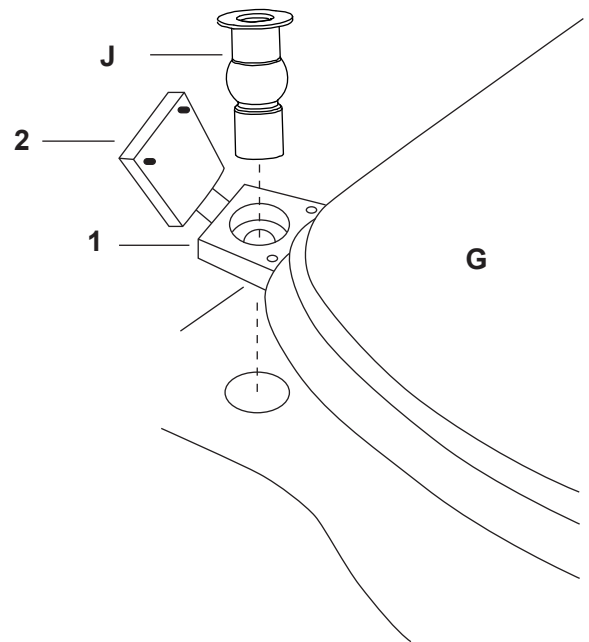
## Installation

12. Place the toilet seat bolt (J) through the hole (1) on the toilet seat (G).

13. Position the toilet seat (G) onto the toilet bowl and tighten the toilet seat bolt (J) from above with a flathead screwdriver.

14. Cover the tightened bolt with the pre-attached decorative cap (2).

15. Repeat this procedure to secure the other side of the toilet seat (G).





Beauty in every detail.

Luxart® products will be covered by Foremost Groups, Inc.'s limited warranty. It is as follows: Foremost warrants its products to be free from defects in material or workmanship for 5 years (Vitreous China) and 1 year (Parts and Fittings) from the date of purchase of the product by the original purchaser.

If inspection of this plumbing product, within 5 years (china product) or 1 year (parts and fittings) after its initial purchase, confirms that it is defective in materials or workmanship, Foremost will repair or at its option, exchange the product for a similar model. Foremost provides no warranties or guarantees beyond those in this Limited Foremost Warranty.

This limited warranty applies only to the original purchaser and installation of these products. All de-installation and re-installation and transportation costs or charges incidental to warranty services are to be borne by the owner. In no event will Foremost® be liable for the cost of repair or replacement of any installation materials, including but not limited to, tiles, marble etc. Foremost will not be responsible for and this warranty does not cover and specifically excludes any liability to the purchaser or any third party for consequential or incidental damages, all of which are hereby expressly disclaimed, or the extension beyond the duration of this warranty of any implied warranties, including those of merchantability or fitness for an intended purpose.

This warranty does not apply to local building code compliance. Since local building codes vary considerably, the purchaser of this product should check with a local building or plumbing contractor to ensure local code compliance before installation.

Foremost shall not be responsible or liable for any failure or damage to its toilet tank trim, plumbing fittings, or china products caused by the use of either chloramines or high concentration of chlorine, lime/iron sediments and/or other minerals not removed from public water during the treatment of public water supplies or caused by toilet tank type cleaners containing chlorine, calcium hypochlorite, and /or other chemicals.

This warranty is void if the product has been moved from its initial place of installation; if it has been subjected to faulty maintenance, abuse, misuse, accident, or other damages; if it was not installed in accordance with Foremost's instructions; or if it has been modified in a manner inconsistent with the product as shipped by Foremost.

NOTE: Some states or provinces do not allow the limitations on an implied warranty, and some states/provinces do not allow exclusions or limitations regarding incidental or consequential damages, so the above limitations may not apply to you. This warranty gives you specific legal rights, and you may have other rights, which vary from state to state or province to province. No person is authorized to change, add to, or create any warranty or obligation other than that set forth herein.

*\*Effective July 1, 2023, due to an update in California law, the start date for product warranties will now be aligned with the date of delivery of the product. This change is for all Luxart products purchased on or after July 1, 2023 by California consumers. (California Legislative Information AB-2912)*