

Stainless Steel Clamp Aero-Seal®

5/16 Hex Screw 9/16 Band Width

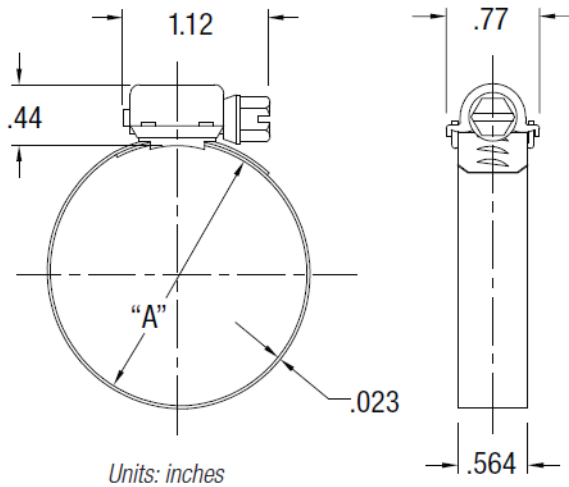
Product Specifications



The original perforated stainless steel worm-drive clamp.

PRODUCT FEATURES

- Quadra-Lock Construction
- 5/16 IN 410 Stainless Steel Hex Screw
- 9/16 IN Band in 300 Series Stainless Steel
- Two-Piece Housing in 300 Series Stainless Steel



✓ To Submit	Part No.	Description				
		SAE	Min	Max	Min	Max
	ML20006H	6	7/16 IN	25/32 IN	11 mm	20 mm
	ML20008H	8	½ IN	29/32 IN	13 mm	23 mm
	ML20010H	10	9/16 IN	1-1/16 IN	14 mm	27 mm
	ML20012H	12	11/16 IN	1-1/4 IN	17 mm	32 mm

Model numbers continue on page 2.



All dimensions listed are nominal. MAINLINE® reserves the right to make product and material changes at any time without notice.

Contact your sales representative for more information or visit our website at mainlinecollection.com

Stainless Steel Clamp Aero-Seal®

5/16 Hex Screw 9/16 Band Width

Product Specifications



Model numbers continued from page 1.

✓ To Submit	Part No.	Description				
		SAE	Min	Max	Min	Max
	ML20016H	16	13/16 IN	1-1/2 IN	21 mm	38 mm
	ML20020H	20	13/16 IN	1-3/4 IN	21 mm	44 mm
	ML20024H	24	1-1/16 IN	2 IN	27 mm	51 mm
	ML20028H	28	1-15/16 IN	2-1/4 IN	33 mm	57 mm
	ML20032H	32	1-9/16	2-1/2 IN	40 mm	64 mm
	ML20036H	36	1-13/16	2-3/4 IN	46 mm	70 mm
	ML20040H	40	2- 1/16 IN	3 IN	52 mm	76 mm
	ML20044H	44	2- 5/16 IN	3-1/4 IN	59 mm	83 mm
	ML20048H	48	2-9/16 IN	3-1/2 IN	65 mm	89 mm
	ML20052H	52	2-13/16 IN	3-3/4 IN	71 mm	95 mm
	ML20056H	56	3 -1/16 IN	4 IN	78 mm	102 mm
	ML20064H	64	3- 9/16 IN	4-1/2 IN	91 mm	114 mm
	ML20072H	72	1-7/8 IN	5 IN	48 mm	127 mm
	ML20080H	80	2-1/2 IN	5-1/2 IN	64 mm	140 mm
	ML20088H	88	3-1/8 IN	6 IN	79 mm	152 mm
	ML20096H	96	3-5/8IN	6-1/2 IN	92 mm	165 mm
	ML200104H	104	4-1/8 IN	7 IN	105 mm	172 mm

Warranty: See warranty information for more details.

All dimensions listed are nominal. MAINLINE® reserves the right to make product and material changes at any time without notice.



Contact your sales representative for more information or visit our website at mainlinecollection.com

Revised 6/1/2017