

MultiBox™, Dishwasher/Commercial Ice Maker Box System with Quarter Turn Arrestor Valve



Product Specifications

Product Features:

- Furnish and install MultiBox™ Ice Maker Outlet Box
- Unit shall be MAINLINE® product code checked below, as manufactured by IPS Corporation.

Box/Frame Material:

- PVC

Valve:



- Lead free Qtr. Turn Arrestor Valve with 3/8" Compression Outlet available for Sweat, CPVC, PEX or Wirsbo connection as checked below
- Valve complies with ASME A112.18.1/CSA B125.1-05, NSF61-NSF/ANSI 372, and meets California No Lead Plumbing Law
- Arrestor complies with ASSE 1010.



Available Accessories:

- 3 Universal Faceplates: Open, Solid and Louvered Stabilizer Bar

Certifications:

- Box 
- Valve 

✓ To Submit	Part #	Product Description	Model #	Units/Case
	ML83191	Dishwasher OB, Qtr-Turn Arrestor Valve, 3/8" Sweat Connection	DW1200HA	10
	ML83192	Dishwasher OB, Qtr-Turn Arrestor Valve, 3/8" CPVC Connection	DW1201HA	10
	ML83193	Dishwasher OB, Qtr-Turn Arrestor Valve, 3/8" PEX Connection	DW1202HA	10
	ML83194	Dishwasher OB, Qtr-Turn Arrestor Valve, 3/8" Wirsbo® Connection	DW1211HA	10

Warranty

See warranty information for more details.

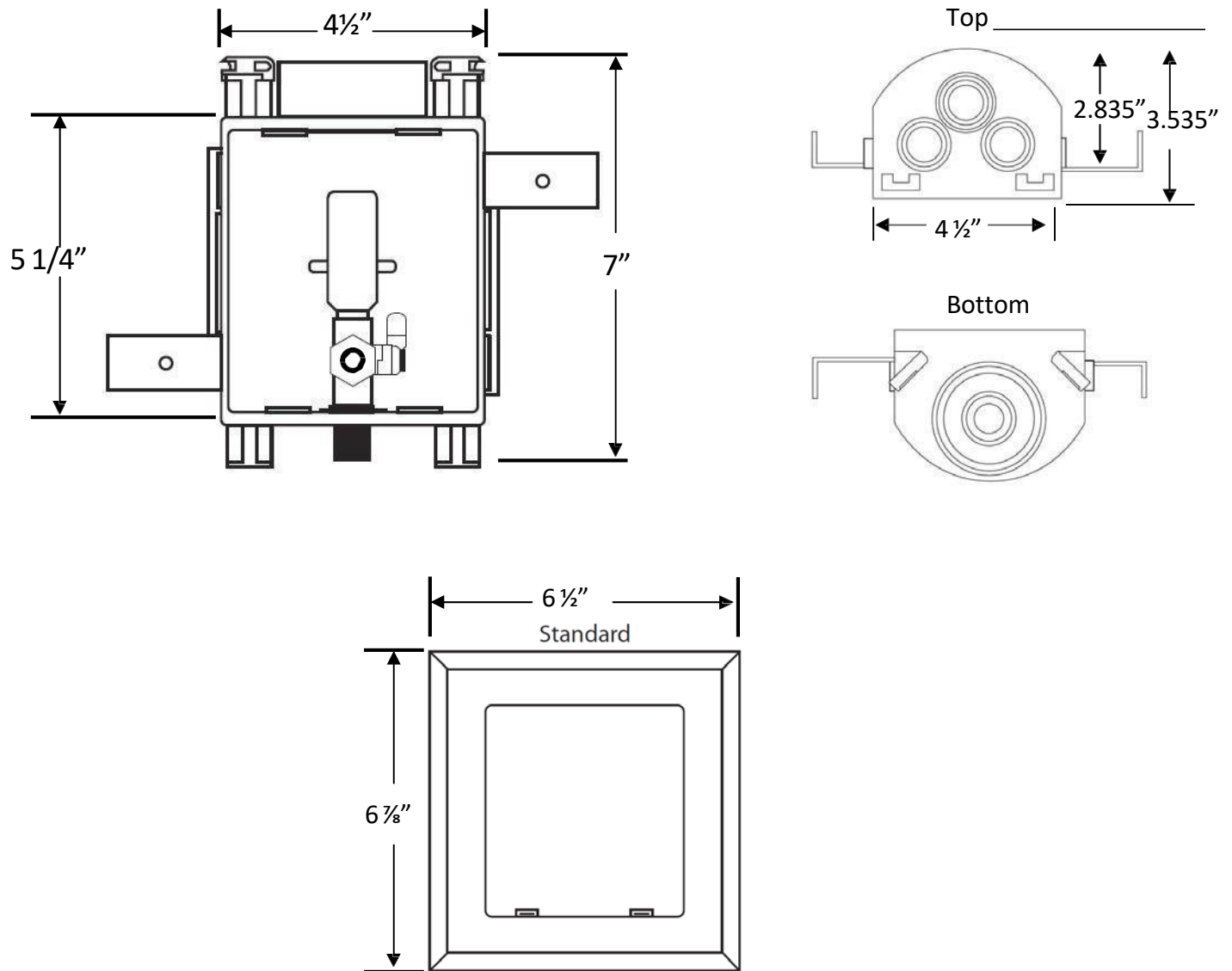
All dimensions listed are nominal. MAINLINE® reserves the right to make product and material changes at any time without notice.



Contact your sales representative for more information or visit our website at mainlinecollection.com

MultiBox™, Dishwasher/Commercial Ice Maker Box System with Quarter Turn Arrestor Valve

Product Specifications



Warranty

See warranty information for more details.

All dimensions listed are nominal. MAINLINE® reserves the right to make product and material changes at any time without notice.

Contact your sales representative for more information or visit our website at mainlinecollection.com