



# Push Connect® Brass Straight Couplings

Product Specifications

Page 1 of 2

## PRODUCT FEATURES

- Forged Lead Free\* Brass
- Maximum Working Pressure: 200 PSI
- Maximum Temperature Rating: 200° F
- Compatible with Copper, CPVC, PEX & PE-RT
- Replaceable O-Ring Seal Design
- Removable and Reusable
- Push to Connect
- Full Flow
- Available with Pre-Inserted Stiffener
- Dual Seal on Sizes 1-1/4" and Larger

## APPROVED APPLICATIONS

- Plumbing
- Heating
- Irrigation
- Underground
- Hydronic Heating
- Behind Walls without Access Panel

*NOTE: When using PEX, a tube stiffener should be inserted into the PEX tubing end prior to insertion into the fitting.*



## FORCES FOR MECHANICAL SEPARATION TEST

Nominal Size		Longitudinal (Pull) Test	
Inches	mm	Lbf	N
3/8 or <	10 or <	100	444.8
1/2	13	150	667
3/4	19	275	1223.2
1	25	475	2112.8

✓To Submit	Part #	Size
	MLU004LF	1/4" x 1/4"
	MLU006LF	3/8" x 3/8"
	MLU008LF	1/2" x 1/2"
	MLU016LF	3/4" x 3/4"
	MLU020LF	1" x 1"
	MLU006LF-S	3/8" x 3/8" w/ Stiffener
	MLU008LF-S	1/2" x 1/2" w/ Stiffener
	MLU016LF-S	3/4" x 3/4" w/ Stiffener
	MLU020LF-S	1" x 1" w/ Stiffener

## Warranty

See warranty information for more details.

All dimensions listed are nominal. MAINLINE® reserves the right to make product and material changes at any time without notice.



**Contact your sales representative for more information or visit our website at [mainlinecollection.com](http://mainlinecollection.com)**

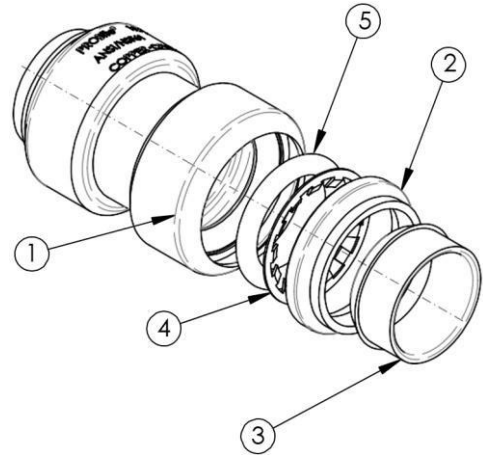
# Push Connect<sup>®</sup> Brass Straight Couplings

Product Specifications

Page 2 of 2

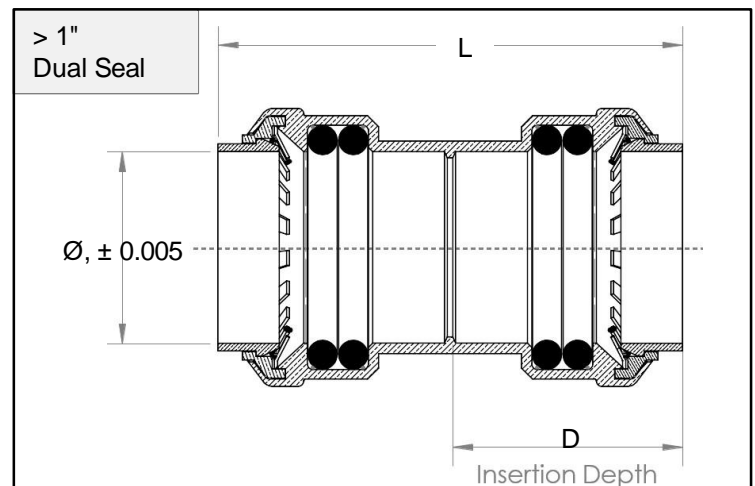
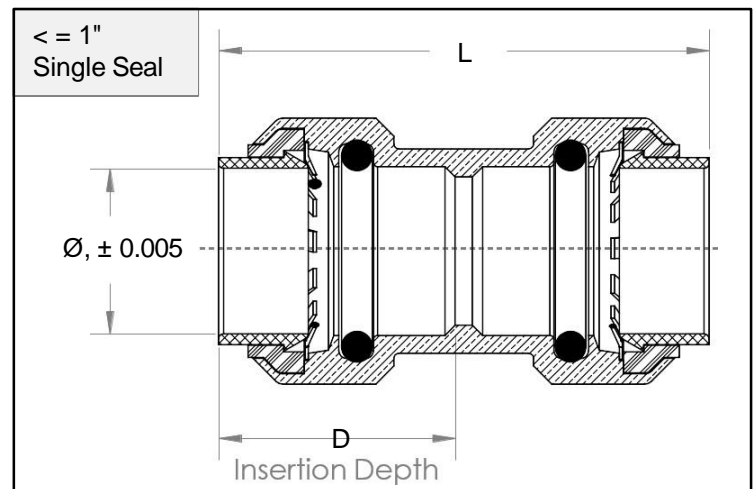
## MATERIALS & SPECIFICATIONS

#	Component	Material	
		<= 1"	> 1"
1	Body	Lead Free Brass	Lead Free Brass
2	Seat Ring	POM	Lead Free Brass
3	Push Ring	POM	Lead Free Brass
4	Grip ring	Stainless Steel	Stainless Steel
5	O-Ring Seal	EPDM70	EPDM70



## DIMENSIONS

#	Ø	D	L
MLU004LF	<b>TBD</b>	<b>TBD</b>	<b>TBD</b>
MLU006LF	0.515	0.81	1.75
MLU008LF	0.64	1	2.02
MLU016LF	0.88	1.06	2.47
MLU020LF	1.142	1.31	2.59
MLU006LF-S	0.515	0.81	1.75
MLU008LF-S	0.64	1	2.02
MLU016LF-S	0.88	1.06	2.47
MLU020LF-S	1.142	1.31	2.59



Contact your sales representative for more information or visit our website at [mainlinecollection.com](http://mainlinecollection.com)