

Molded Wood Basic Round Toilet Seat

Product Specifications



Description

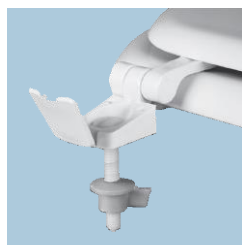
Closed front with cover, round, molded wood, multi-coat enamel finish toilet seat. Features two color-matched bumpers, color-matched Top-Tite® hinges with non-corrosive, top-tightening Hex-Tite® bolts and wing nuts.

Model: ML400TT

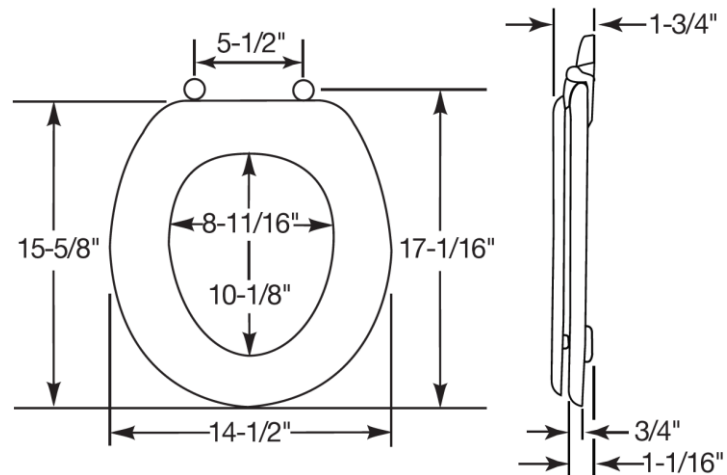
Specifications	
Size:	Round
Weight:	5.3 lbs
Color:	White (000)
Material:	Molded Wood
Style:	Closed Front with Cover
Bumpers:	Two
Hinges:	Plastic Top-Tite®
Fastening System:	Non-Corrosive Hex-Tite® Bolts and Wing Nuts



TOP-TITE®
HINGES



NON-CORROSIVE
BOLTS AND WING
NUTS



Warranty

See warranty information for more details.

All dimensions listed are nominal. MAINLINE® reserves the right to make product and material changes at any time without notice.



Contact your sales representative for more information or visit our website at mainlinecollection.com