



# Push Connect<sup>®</sup> Brass FIP Tees

## Product Specifications

### PRODUCT FEATURES

- Forged Lead Free\* Brass
- Maximum Working Pressure: 200 PSI
- Maximum Temperature Rating: 200° F
- Compatible with Copper, CPVC, PEX & PE-RT
- Replaceable O-Ring Seal Design
- Removable and Reusable
- Push to Connect
- Full Flow
- Available with Pre-Inserted Stiffener

### APPROVED APPLICATIONS

- Plumbing
- Heating
- Irrigation
- Underground
- Hydronic Heating
- Behind Walls without Access Panel

NOTE: When using PEX, a tube stiffener should be inserted into the PEX tubing end prior to insertion into the fitting.

### MATERIALS & SPECIFICATIONS

#	Component	Material
1	Body	Lead Free Brass
2	Seat Ring	POM
3	Push Ring	POM
4	Grip ring	Stainless Steel
5	O-Ring Seal	EPDM70

### DIMENSIONS

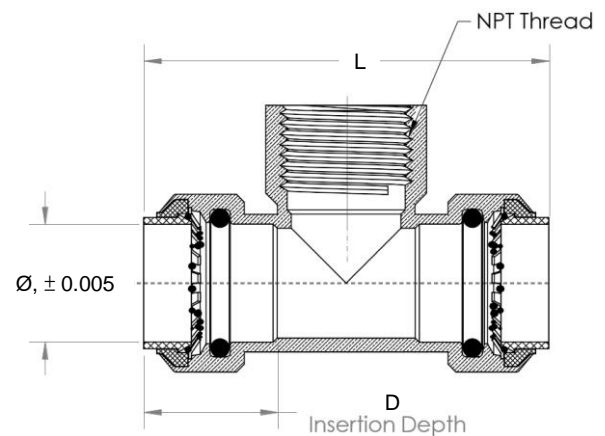
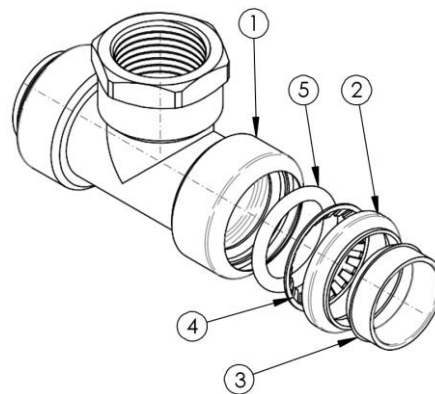
#	Ø	D	L
MLU462LF	0.88	1.06	2.98
MLU464LF	1.142	1.31	3.01
MLU462LF-S	0.88	1.06	2.98
MLU464LF-S	1.142	1.31	3.01

✓ To Submit	Part #	Size
	MLU462LF	3/4" x 3/4" x 3/4"
	MLU464LF	1" x 1" x 1"
	MLU462LF-S	3/4" x 3/4" x 3/4" w/ Stiffener
	MLU464LF-S	1" x 1" x 1" w/ Stiffener

### Warranty

See warranty information for more details.

All dimensions listed are nominal. MAINLINE<sup>®</sup> reserves the right to make product and material changes at any time without notice.



### FORCES FOR MECHANICAL SEPARATION TEST

Nominal Size Inches	Nominal Size mm	Longitudinal (Pull) Test	
		Lbf	N
3/4	19	275	1223.2
1	25	475	2112.8



Contact your sales representative for more information or visit our website at [mainlinecollection.com](http://mainlinecollection.com)