



EFFLUENT PUMP

1/2 HP or 3/4 HP

FEATURES:

- Rugged cast iron pump housing and base
- Non-clog Vortex Impeller handles up to 3/4" solids
- Piggyback Tethered Float Switch for automatic or manual operation
- Energy-efficient, PSC motor with automatic reset thermal overload protection
- Oil-filled motor provides maximum heat dissipation and permanent lubrication
- 2" female NPT discharge with 20' or 35' power cord



PRODUCT	DESCRIPTION
MLFS22407	Effluent Pump, 3/4 HP, Tethered Float Switch, 20' Cords
MLFS22408	Effluent Pump, 1/2 HP, Tethered Float Switch, 20' Cords
MLFS22409	Effluent Pump, 3/4 HP, Tethered Float Switch, 35' Cords
MLFS22410	Effluent Pump, 1/2 HP, Tethered Float Switch, 35' Cords

Warranty

See warranty information for more details.

All dimensions listed are nominal. MAINLINE® reserves the right to make product and material changes at any time without notice.





Application

Submersible Effluent pump designed to pump effluent, grey water or wastewater with up to 3/4" spherical solids.

Voltage	115
Amps	1/2 HP - 7.4 3/4 HP - 9.4
Hertz	60
Phase	Single
RPM	3450 RPM
Motor Type	Permanent Split Capacitor (PSC)
Insulation	Class B
Circuit Requirments	1/2 HP - 15 AMP 3/4 HP - 20 AMP
Duty Rating	Continuous*
Shaft Seal	1/2 HP - Lip seal (Rubber & Stainless Steel) 3/4 HP - Mechanical seal
Motor Shaft	Stainless steel
Upper Motor Bearing	Ball bearing
Lower Motor Bearing	Ball bearing
Cooling	Oil cooled
Motor Protection	Auto reset thermal overload protector

* For continuous, the water depth must be at least 6" to prevent the motor from overheating

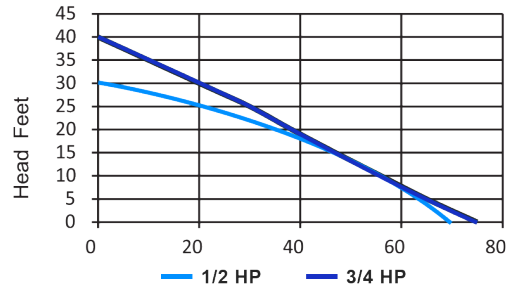
Pump Specifications

Discharge Size	2" FNPT
Cord Length	20' or 35'
Cord Type	1/2 HP - SJTW 18AWG/3C, UL list 3/4 HP - SJTW 16AWG/3C, UL list
Pump Housing	Cast iron
Pump Base	Cast iron
Impeller Material	Reinforced thermoplastic
Gasket	Rubber
Solids Handling	3/4" spherical
Liquid Temp. Range	32°-131°F
Operation	Automatic/Manual
Fasteners	Stainless steel

Automatic Switch Specifications

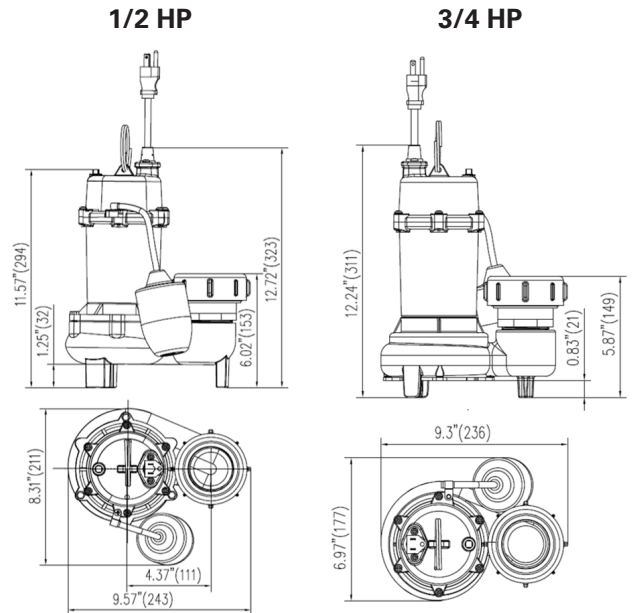
Type	Tethered
Switch On Point	1/2 HP - 13.3" 3/4 HP - 16.5"
Switch Off Point	1/2 HP - 5" 3/4 HP - 7.5"
Material	Reinforced thermoplastic
Cord Length	20' or 35'
Cord Type	SJOW 18AWG/2C, UL list

Performance



MODEL	HP	DISCHARGE HEIGHT (ft)	0	5	10	15	20	25	30
MLFS22408 MLFS22410	1/2	GPM	70	63	56	47	35	21	0
		GPH	4200	3780	3360	2820	2100	1260	0
MLFS22407 MLFS22409	3/4	GPM	75	65	56	47	38	30	20
		GPH	4500	3900	3360	2820	2300	1800	1200

Dimensions



Warranty

See warranty information for more details.

All dimensions listed are nominal. MAINLINE® reserves the right to make product and material changes at any time without notice.

