

# Shower Arm Test Plug

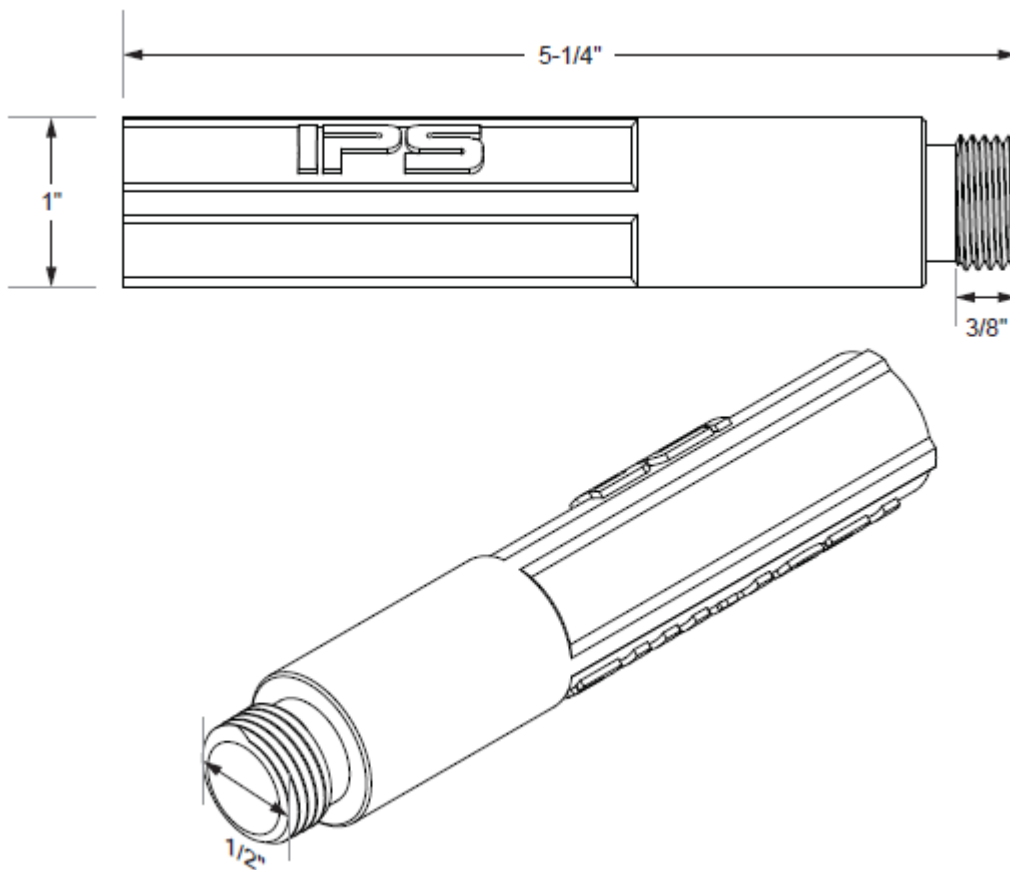
## Product Specifications

### FEATURES

- 1/2" MIP for Drop-Ear Fitting
- Easily installed and removed by hand
- Gasket Seal—no tape or thread sealant required
- Durable and Reusable
- Hi-viz plastic for easy visibility
- Smooth threaded end for easy plastering



**ML83803**



### Warranty

This product carries a 3-year limited warranty.

All dimensions listed are nominal. MAINLINE® reserves the right to make product and material changes at any time without notice.



Contact your sales representative for more information or visit our website at [mainlinecollection.com](http://mainlinecollection.com)