



Push Connect[®] Copper End Stops

Product Specifications

MAINLINE[®]

PRODUCT FEATURES

- Lead Free* Copper
- Maximum Working Pressure: 250 PSI [17.3 bar]
- Maximum Temperature Rating: 250° F [121° C]
- Compatible with Copper, CPVC, PEX & PE-RT
- Replaceable O-Ring Seal Design
- Installs in Wet or Dry System
- Removable and Reusable
- Push to Connect
- Dual Seal
- Full Flow

APPROVED APPLICATIONS

- Plumbing
- Heating
- Irrigation
- Underground
- Hydronic Heating
- Behind Walls without Access Panel

NOTE: When using PEX, a tube stiffener should be inserted into the PEX tubing end prior to insertion into the fitting.

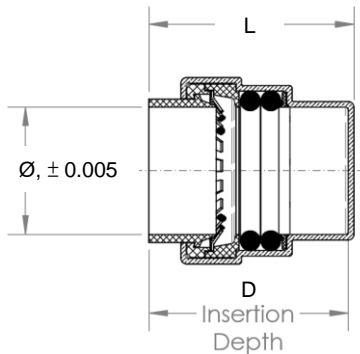
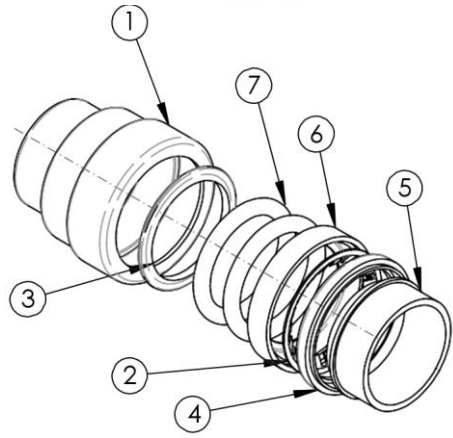
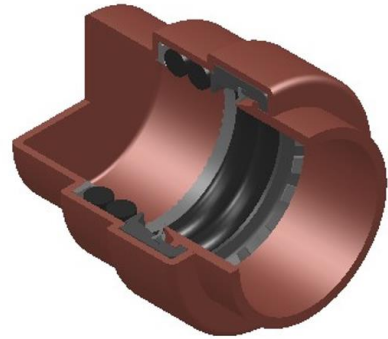
MATERIALS & SPECIFICATIONS

#	Component	Material
1	Body	Copper
2	Grip Ring	Stainless Steel
3	O-Ring Spacer	Nylon 6-6
4	Seat Ring	Nylon 6-6
5	Push Ring	POM
6	Spacer Gland	Nylon 6-6
7	O-Ring Seal	EPDM70

DIMENSIONS

#	MLCHEC3	MLCHEC4	MLCHEC5
Ø	0.64	0.88	1.142
D	1	1.06	1.31
L	1.11	1.31	1.43

✓ To Submit	Part #	Size
	MLCHEC3	1/2" End Stop
	MLCHEC4	3/4" End Stop
	MLCHEC5	1" End Stop



FORCES FOR MECHANICAL SEPARATION TEST

Nominal Size	Longitudinal (Pull) Test			
	Inches	mm	Lbf	N
1/2		13	150	667
3/4		19	275	1223.2
1		25	475	2112.8

Warranty

See warranty information for more details.

All dimensions listed are nominal. MAINLINE[®] reserves the right to make product and material changes at any time without notice.



Contact your sales representative for more information or visit our website at mainlinecollection.com