

Double Bowl Kitchen Sink

Product Specifications

Features

- 18 Gauge
- Type 304 Stainless Steel
- Includes Mounting Clips
- Fully Undercoated
- Sound Absorption Pads
- Brushed Satin Finish

Overall Size: 31-1/2" x 20-1/2"

Bowl Depth: 9"(left), 7"(right)

Minimum Cabinet Size: 36"

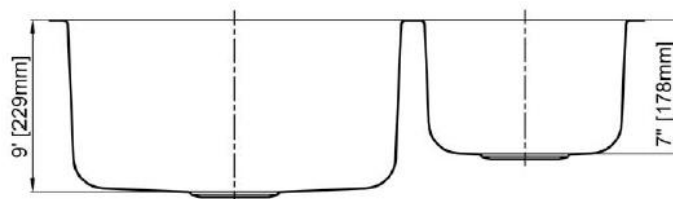
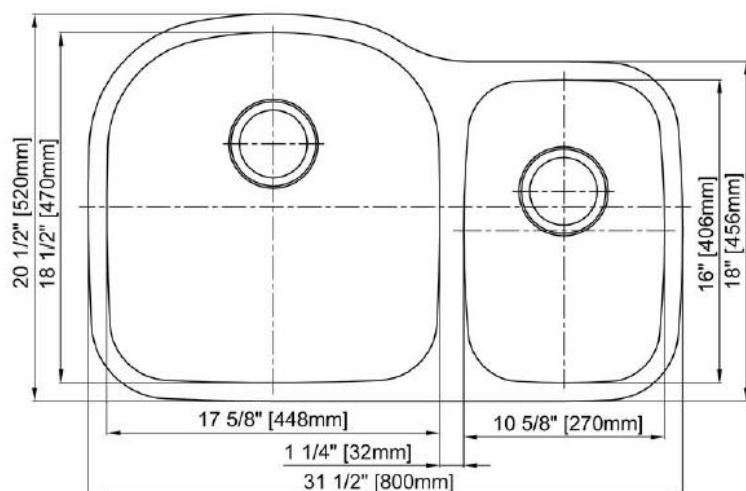
Drain Opening: 3-1/2"

Drain Placement: Center Rear

USE SINK AS CUTOUT TEMPLATE



MLUD3120



Optional Accessories

- Bottom Basin Rack: MLUD3120BG
- Basket Strainer: MLL7, ML18, ML14, ML15
- Soap Dispenser: CSD, LCSD, LGLSD

For cutout measurement: Use sink in sink box.

All dimensions listed are nominal. Luxart® reserves the right to make product and material changes at any time without notice.



Contact your sales representative for more information or visit our website at mainlinecollection.com