

Installation Instructions



Tools You Will Need



Level



Tape
Measure



Pencil



Sealant
Tape



Silicone
Sealant



Safety
Goggles

AND:

- Drop Cloth
- Tub & Tile Caulk
- Caulking Gun
- Standard Woodworking Tools

BEFORE YOU BEGIN

Our products are carefully inspected in our factory before packaging for shipment. Carefully inspect the product before installation for any damage. If a product is damaged, please contact the company before installation. Only remove the protective film at the very end of the installation to ensure maximum protection. (Except where bath surfaces will be in permanent contact with another surface (i.e. faucets, floor etc.)). Protect the unit and the flooring during installation by using drop cloths and cardboard.

Observe all local plumbing and building codes.

The tub is designed for freestanding installation only.

Install tub on a level, finished floor, with adequate support.

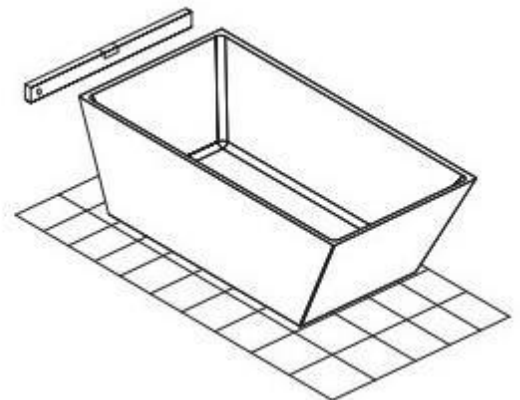
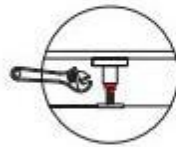
CAUTION: Risk of personal injury. This bath is bulky and heavy. Obtain sufficient help when carefully moving, lifting and installing the bath. Safely support the bath during all installation steps.



Installation Instructions

Step 1 – Prepare the Location

- Use product specification sheet as a reference when planning your layout.
- As the product specification measurements are approximate and slight variations may occur, measure the actual tub onsite. Confirm correct tub model was provided before installation.
- Make sure all of the required materials needed for installation are available.
- Be careful to protect the surfaces of the tub at all times. Installers should not stand inside tub with uncovered shoes.
- Make sure the flooring offers adequate support for your bath and is level. Reinforce the existing flooring if needed.
- Determine the location of the bath, and use a pencil to trace the outline of the base of the bathtub on the floor
- Ensure the bath is level by using the adjustable feet on the underside of the bath (if applicable) or shims. Make sure that there is a gap between the bath base and the floor. Gap shall not exceed 3/16" (5mm). The weight of the tub should be supported solely by the feet on the tub and not the shroud.



Step 2 – Install the Drain

****The drain/waste outlet must be installed by a certified plumber and in accordance with all local building codes.****

- Using the traced outline for reference, determine the location of the drain pipe on the floor by taking measurements of the drain and waste location underneath the bath, and confirm that the drain/waste outlet in the floor will align with the bath drain outlet of the tub. Note: Drains vary by model.
- Place a drop cloth on the floor, turn the bath on its side and safely support the tub during drain installation.
- We recommend the use of clear silicone to seal as plumber's putty can dry and crack leading to the possibility of leakage and may discolor the finish of the tub and drain over time.
- For tubs with a flexible plastic drain connection included in the packaging: It is not required for all installations, only when the existing floor drain does not align perfectly for the desired tub installation location. Only use the flexible hose for a maximum drain offset of 5" or less. After installation the flexible drain pipe cannot rest horizontally; it must maintain drop to the drain.

Installation Instructions

Step 3 – Install the Bathtub

- Apply a generous bead of adhesive or silicone to the bottom of the tub supports.
- Carefully lift the bath into position and connect the previously installed drain hardware. Finish the installation of the tail piece. Tighten all of the drain connections. Remove any excess caulking where the tub meets the floor.

Step 4 – Complete the Installation

Test Run the Bathtub

- 24 hours after final installation. Fill the bathtub with water to the overflow and then drain. Check for leaks and re-tighten connections as necessary.
- Apply a bead of silicone sealant around the bottom edge of the tub where it meets the floor. Remove any excess caulking/sealant.

Clean-up After Installation

- Remove all construction debris from bathtub.
- When cleaning up after installation, do not use abrasive instruments or cleaners, as they may scratch or dull the surface of the acrylic. Use warm water and a mild liquid detergent to clean the surface of the bath.
- **Do not allow cleaners containing petroleum distillates to remain in contact with any bath surface for long periods of time.** Do not use metal scrapers, wire brushes, or other metal tools.

Care & Cleaning Guidelines

Cleaning

Wipe surfaces clean and rinse completely with water immediately after applying cleaner. Rinse and dry any overspray that lands on nearby surfaces.

Some Don'ts

- DO NOT allow cleaners to soak on surfaces.
- DO NOT use wire brushes, knives or sharp objects to remove stains or other surface blemishes.
- DO NOT **use full strength bleach or ammonia cleaning solutions.** Chemically active cleaning solutions can damage the bath surface. Test all cleaning products in an inconspicuous location before using the first time.
- DO NOT allow nail polish remover, acetone, dry-cleaning fluid, paint remover or other solvents to come into contact with the bath surface.
- DO NOT use abrasive cleaners or solvents on acrylic surfaces.



Installation Instructions

Important Safety Instructions

- ! **DANGER:** To reduce the risk of injury, do not permit children to use this unit without close supervision at all times.
- ! **DANGER:** To avoid injury, exercise care when entering or exiting the bath.
- ! **WARNING:** Do not permit electric appliances (such as a hair dryer, lamp, television, or radio) within 5' (1.5m) of this bath.
- ! **WARNING:** Avoid alcohol consumption before or during bathing. Alcoholic beverages can cause drowsiness or hyperthermia resulting in loss of consciousness or even drowning.
- ! **WARNING:** Water temperature in excess of 100°F (38°C) may cause injury. Test and adjust the water temperature before use.
- ! **WARNING:** If you are or think you may be pregnant, consult your physician before using the bathtub.
- ! **Note:** All dimensions are nominal. Product conforms to CSA B45.5/IAMPMO Z124. Specifications are subject to change without notice.



Luxart products manufactured by Interquatic® will be covered by Interquatic®'s warranty as follows:

INTERQUATIC 10 YEAR LIMITED WARRANTY
For Interquatic® acrylic freestanding bathtubs

Interquatic®, warrants to the original consumer purchaser that it will, at its option, repair, replace, or make appropriate adjustments of the tub or any of its parts that are found by Interquatic®, in its sole judgment, to be defective under normal residential use and maintenance, so long as it is owned by the original consumer purchaser.

This limited warranty does not cover commercial installations or installations outside the continental United States.

This limited warranty DOES NOT COVER the following:

- Defects or damages arising due to shipping, installation, alterations, accidents, abuse, misuse, use other than bathing purposes, lack of proper maintenance and cleaning and use of other than genuine Interquatic® replacement parts, in all cases whether caused by a service company, plumbing contractor, the owner, or any other person.
- Deterioration through normal wear and tear and the expense of normal maintenance.
- Any modifications, alterations, or customization made by a service representative not authorized by Interquatic® will void warranty.
- Commercial Applications
- Options and accessories, including, aprons, drains, drain covers, overflow drain covers.
- Postage or shipping costs for returning products for repairs, replacement components or replacement unit under this limited warranty.
- Labor or other costs incurred in connection with product removal and/or installation under this limited warranty.
- ANY LIABILITY FOR CONSEQUENTIAL OR INCIDENTAL DAMAGES, ALL OF WHICH ARE HEREBY EXPRESSLY DISCLAIMED, OR THE EXTENSION BEYOND THE DURATION OF THIS LIMITED WARRANTY OF ANY IMPLIED WARRANTIES, INCLUDING THOSE OF MERCHANTABILITY OF FITNESS FOR AN INTENDED PURPOSE. IN NO EVENT SHALL THE LIABILITY OF INTERQUATIC® EXCEED THE PURCHASE PRICE OF THE PRODUCT OR ACCESSORY. (Some jurisdictions do not allow limitations on how long an implied warranty lasts, or the exclusion or limitation of incidental or consequential damages, so these limitations and exclusions may not apply to you.)
- Responsibility for compliance with local code requirements. (Since local code requirements vary greatly. Distributors, retailers, dealers, installation contractors, and users of plumbing products should determine whether there are any code restrictions on the installation or use of a specific product





This warranty gives the original consumer purchaser specific legal rights. You may also have additional rights which vary from state to state, in which case this limited warranty does not affect such statutory rights.

All written or implied warranties are limited to the durations expressed here within. All units must be water tested before installation to validate warranty.

Accessories not factory installed are not covered under this warranty.

Covered Products:

Acrylic free-standing bathtubs

Warranty Service:

In order to make a claim under this warranty, the original consumer purchaser must notify Interquatic® in writing no later than fifteen (15) days from occurrence and must be within the expressed warranty period(s). Send a description of the product, model, and defect to the following address:

**Interquatic®
Warranty Service Department
15565 Wright Brothers Dr.
Addison, TX 75001
(214) 572-2000**

With the issuance of this warranty, Interquatic® stipulates, and the purchasers agrees, that in the event litigation is instituted as a result of this limited warranty, said litigation will be controlled by the applicable laws of the State of Texas, and the buyer and seller both agree that the appropriate forum and venue for any such litigation will be in Dallas County, State of Texas.

**Effective July 1, 2023, due to an update in California law, the start date for product warranties will now be aligned with the date of delivery of the product. This change is for all Luxart products purchased on or after July 1, 2023 by California consumers. (California Legislative Information AB-2912)*

