



# Push Connect® Brass FIP 90 Degree Elbows

## Product Specifications

MAINLINE®

### PRODUCT FEATURES

- Forged Lead Free\* Brass
- Maximum Working Pressure: 200 PSI
- Maximum Temperature Rating: 200° F
- Compatible with Copper, CPVC, PEX & PE-RT
- Replaceable O-Ring Seal Design
- Removable and Reusable
- Push to Connect
- Full Flow
- Available with Pre-Inserted Stiffener



### APPROVED APPLICATIONS

- Plumbing
- Heating
- Irrigation
- Underground
- Hydronic Heating
- Behind Walls without Access Panel

NOTE: When using PEX, a tube stiffener should be inserted into the PEX tubing end prior to insertion into the fitting.

### FORCES FOR MECHANICAL SEPARATION TEST

✓To Submit	Part #	Size
	MLU304LF	3/8" x 3/8"
	MLU308LF	1/2" x 1/2"
	MLU314LF	3/4" x 3/4"
	MLU304LF-S	3/8" x 3/8" w/ Stiffener
	MLU308LF-S	1/2" x 1/2" w/ Stiffener
	MLU314LF-S	3/4" x 3/4" w/ Stiffener

Nominal Size		Longitudinal (Pull) Test	
Inches	mm	Lbf	N
3/8 or <	10 or <	100	444.8
1/2	13	150	667

### Warranty

See warranty information for more details.

All dimensions listed are nominal. MAINLINE® reserves the right to make product and material changes at any time without notice.



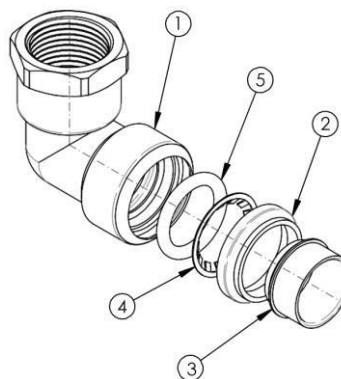
Contact your sales representative for more information or visit our website at [mainlinecollection.com](http://mainlinecollection.com)

# Push Connect<sup>®</sup> Brass FIP 90 Degree Elbows

Product Specifications

## MATERIALS & SPECIFICATIONS

#	Component	Material
1	Body	Lead Free Brass
2	Seat Ring	POM
3	Push Ring	POM
4	Grip ring	Stainless Steel
5	O-Ring Seal	EPDM70



## DIMENSIONS

#	Ø	D	L
MLU304LF	0.515	0.81	1.61
MLU308LF	0.64	1	1.79
MLU314LF	<b>TBD</b>	<b>TBD</b>	<b>TBD</b>
MLU304LF-S	0.515	0.81	1.61
MLU308LF-S	0.64	1	1.79
MLU314LF-S	<b>TBD</b>	<b>TBD</b>	<b>TBD</b>

