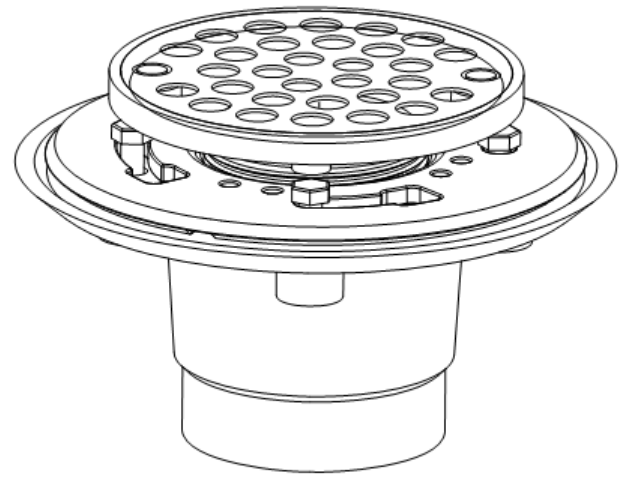
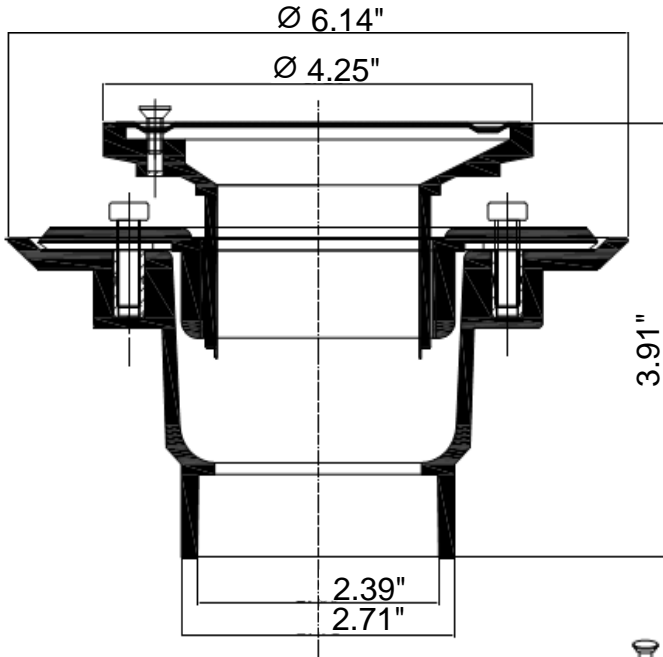


SPECIFICATIONS

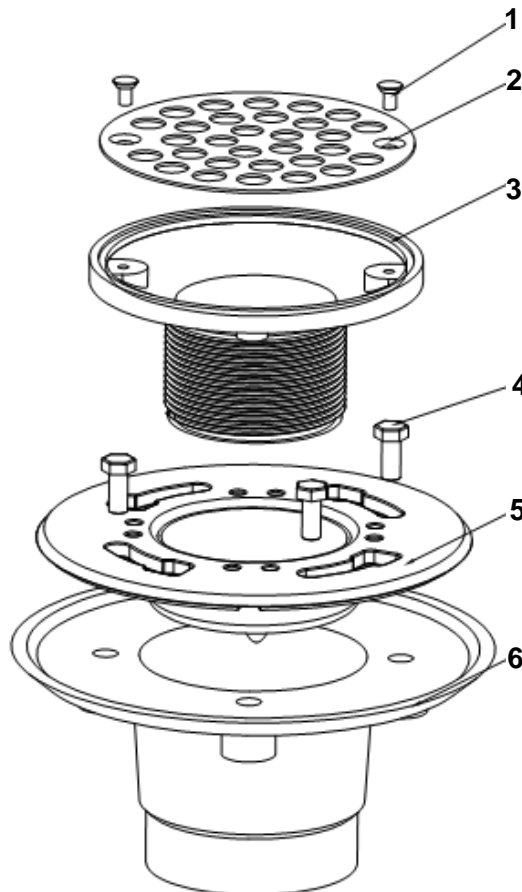
- 2"/3" PVC Solvent Weld Low Profile Shower/Floor Drain
- Adjustable
- Fits Over 2" and Inside 3" Schedule 40 DWV Pipe
- Screw Type Stainless Steel Strainer



ML42213



CROSS REFERENCE	
42213	D50--001
821-2P	67008 or ABA4436
8015	321957WSS
PBR-406	BDSD2-3



No.	Part Name	Material
1	Screws	Stainless Steel
2	Strainer	Stainless Steel
3	Body	PVC/White
4	Screws	Stainless Steel
5	Clamping Collar	PVC/White
6	Body	PVC/White

CERTIFICATIONS

• cUPC

