



1-1/2" Tubular P-Trap less Cleanout

Product Specifications

MAINLINE®

FEATURES

- 8-3/4" 17 GA Brass Wall Tube
- 1-1/2" x 1-1/4" Reducing Washer
- Chrome Plated
- Brass Nut Kit
- Deep Bell Escutcheon

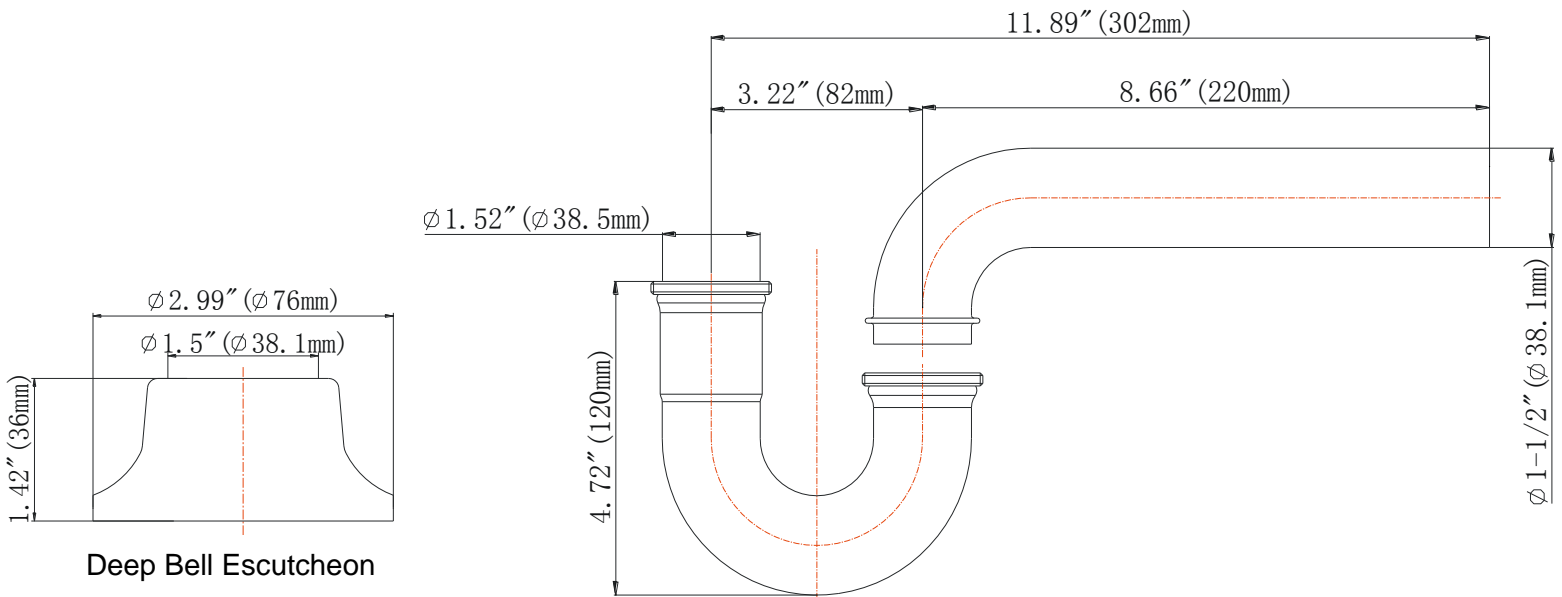


ML705BDE

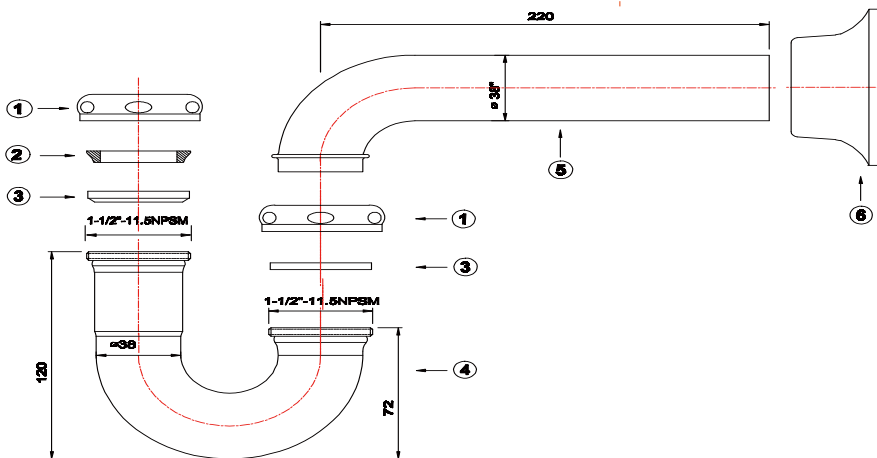
APPLICABLE STANDARDS/CODES

Specified model meets or exceeds the following:

- ASME A112.18.1/CSA B125.1
- IAPMO/cUPC



Deep Bell Escutcheon



Part #	Part Description	Material
1	Slip Nut	Brass
2	Reducing Washer	PE
3	Washer	Rubber or PE
4	J-Bend	Cast Brass
5	Wall Tube	Brass
6	Escutcheon	Plated Steel

Warranty

See warranty information for more details.

All dimensions listed are nominal. MAINLINE® reserves the right to make product and material changes at any time without notice.



Contact your sales representative for more information or visit our website at mainlinecollection.com