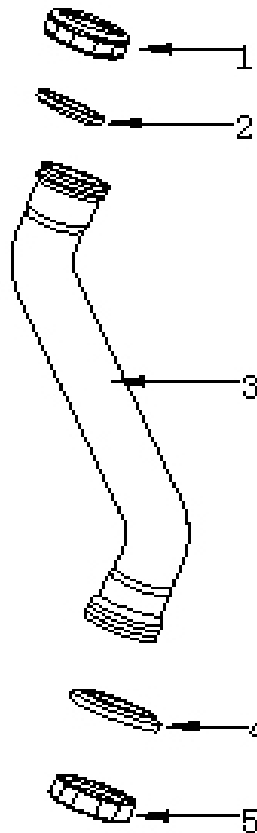
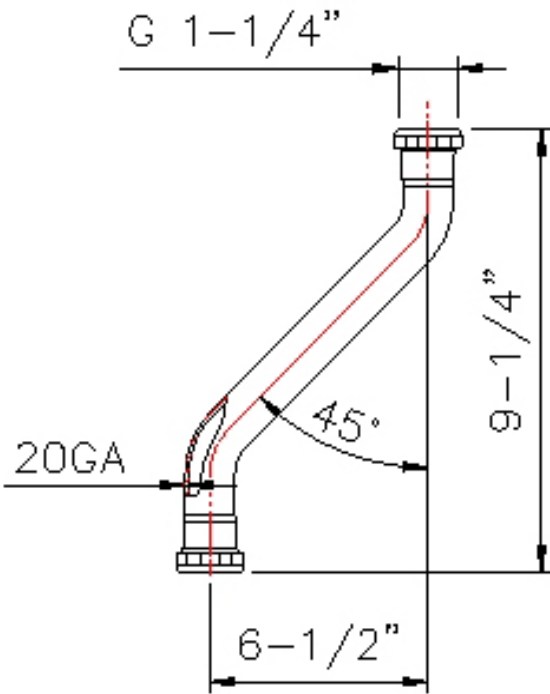


SPECIFICATIONS

- Chrome Finish
- 20 Gauge
- 1-1/4" x 9-1/4"
- 45° Trap Offset



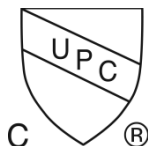
ML10461



No.	Part Name	Material
1	Nut	Zinc
2	Washer	Rubber
3	45° Trap Offset	Brass
4	Washer	Rubber
5	Nut	Zinc

CERTIFICATIONS

- cUPC

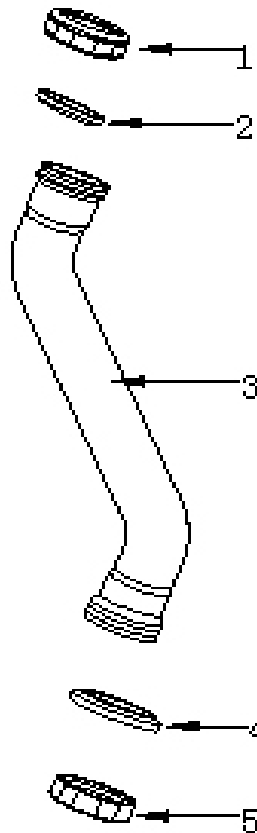
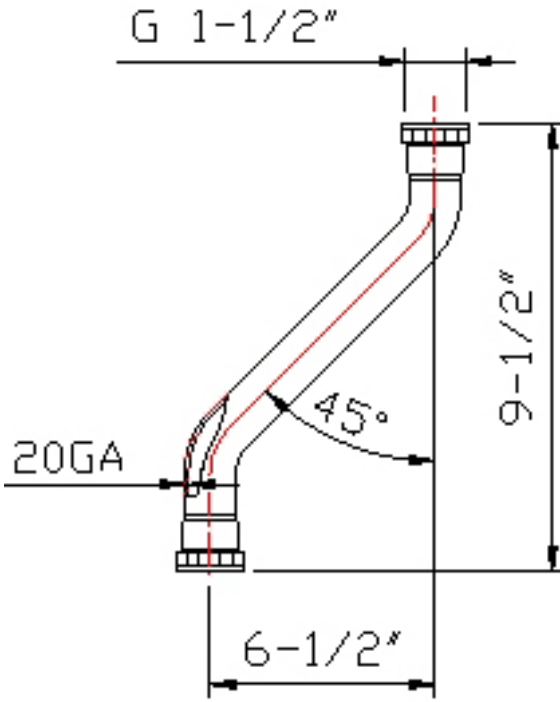


SPECIFICATIONS

- Chrome Finish
- 20 Gauge
- 1-1/2" x 9-1/4"
- 45° Trap Offset



ML1046A1



No.	Part Name	Material
1	Nut	Zinc
2	Washer	Rubber
3	45° Trap Offset	Brass
4	Washer	Rubber
5	Nut	Zinc

CERTIFICATIONS

- cUPC

