



# Lead Free\* Full Port Brass Ball Valve, Press

## Product Specifications

✓ To Submit	Part #	Size
	MLBVBP0500LF	1/2"
	MLBVBP0750LF	3/4"
	MLBVBP1000LF	1"
	MLBVBP1250LF	1-1/4"
	MLBVBP1500LF	1-1/2"
	MLBVBP2000LF	2"

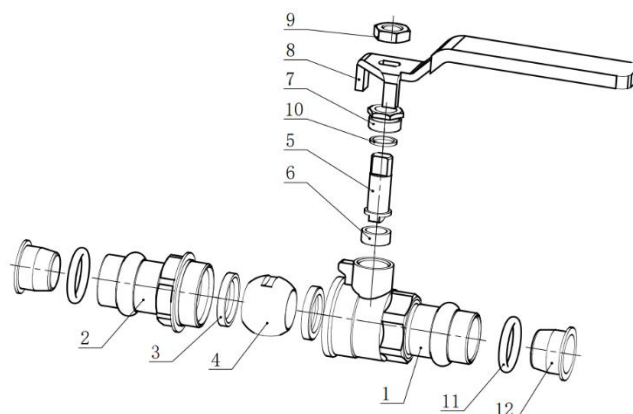
## Product Features:

- 250 CWP, 250 WOG
- Lead Free Brass Body
- Dual Press Ends
- Lead Free Brass Ball
- Virgin PTFE Seats
- Adjustable Packing Nut
- Blow-Out Proof Stem
- cUPC, NSF-61 & NSF-372 Certified



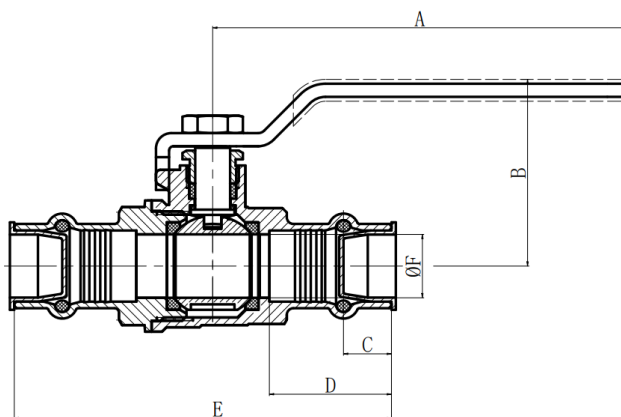
## Materials & Specifications:

Item	Description	Material	Specification
1	Body	Lead Free Brass	C46500
2	End Cap	Lead Free Brass	C46500
3	Ball Seat	PTFE	PTFE
4	Ball	Lead Free Brass	C46500
5	Stem	Brass	C37700
6	Stem Packing	PTFE	PTFE
7	Packing Nut	Brass	C37700
8	Handle	Steel / Chrome Plated	1008
9	Handle Nut	Steel / Nickel Plated	A570 Gr. A
10	Gasket	PTFE	PTFE
11	O-ring	EPDM	EPDM
12	Plastic Cap	PE	PE



## Dimensions (inches), Valve Data:

Size	1/2"	3/4"	1"	1-1/4"	1-1/2"	2"
A	3.740	3.740	4.291	5.118	5.118	6.496
B	1.681	1.901	2.272	2.874	3.087	3.610
C	0.433	0.433	0.433	0.433	0.512	0.630
D	1.102	1.181	1.181	1.181	1.378	1.575
E	3.405	3.850	4.134	4.673	5.256	6.043
ΦF	0.571	0.748	0.984	1.260	1.570	1.969
T max °F	200	200	200	200	200	200
P max valve @ 200°F	250	250	250	250	250	250



\* ≤ .25% Pb

NSF/ANSI/CAN 372  
NSF/ANSI/CAN 61



## Warranty

See warranty information for more details.

All dimensions listed are nominal. MAINLINE® reserves the right to make product and material changes at any time without notice.

Contact your sales representative for more information or visit our website at [mainlinecollection.com](http://mainlinecollection.com)