

## Sink Bottom Grid

### Product Specifications

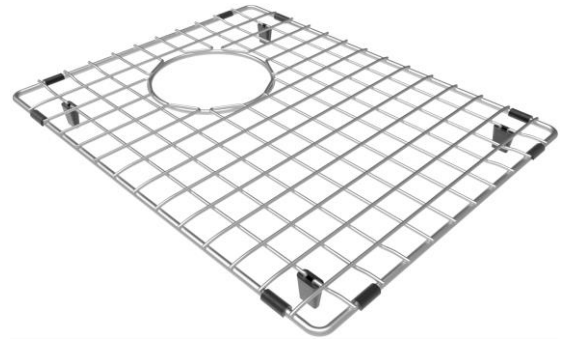
#### Features

- Custom designed to protect and cover the bottom of your sink
- Properly positioned opening for convenient access to drain or disposer
- Built from solid stainless steel to resist corrosion and provide years of service

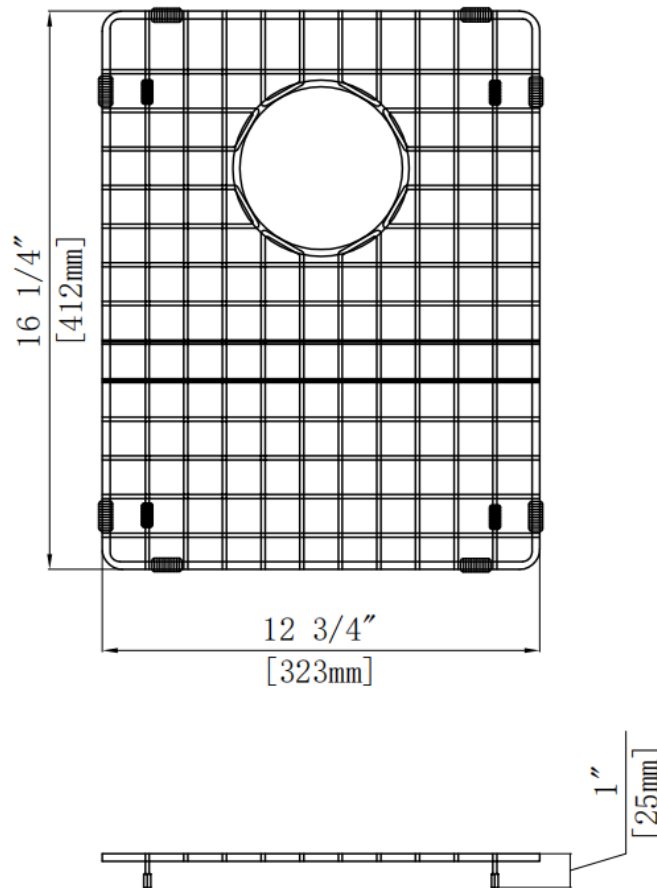
**Overall Size:** 12-3/4" x 16-1/4" x 1"

**Drain Placement:** Center Rear

**Material:** Stainless Steel



**LXZS1518BG**



All dimensions listed are nominal. Luxart® reserves the right to make product and material changes at any time without notice.

Contact your sales representative for more information or visit our website at [luxartcollection.com](http://luxartcollection.com)