



MAINLINE®

# Lead Free Brass Ball Valve, MIPxPEX

## Product Specifications

### Product Features:

- 400# WOG
- Lead Free Brass Body
- F1960 full port
- Barb (F1960) x MNPT
- PEX end (ASTM F1960)
- Threaded end (ASME B1.20.1-NPT)
- Chrome plated ball
- Virgin PTFE seats
- Blow-out proof stem
- Double NBR O-ring packing
- CSA B125.14
- AB1953, NSF/ANSI 61 & 372 certified



### Materials & Specifications:

✓ To Submit	Part #	Size
	ML5018AB-1/2 – 2-Piece Full Port Ball Valve	1/2"
	ML5018AB-3/4 – 2-Piece Full Port Ball Valve	3/4"
	ML5018AB-1 – 2-Piece Full Port Ball Valve	1"
	ML5018ABW-1/2 – 2-Piece Full Port Ball Valve with Wing Handle	1/2"
	ML5018ABW-3/4 – 2-Piece Full Port Ball Valve with Wing Handle	3/4"
	ML5018ABW-1 – 2-Piece Full Port Ball Valve with Wing Handle	1"

### Warranty

See warranty information for more details.

All dimensions listed are nominal. MAINLINE® reserves the right to make product and material changes at any time without notice. NSF/ANSI 61 & 372



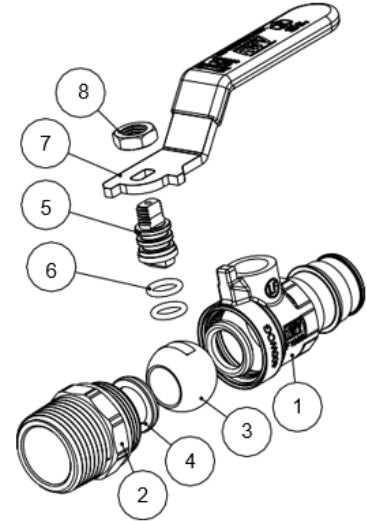
Contact your sales representative for more information or visit our website at [mainlinecollection.com](http://mainlinecollection.com)



# Lead Free Brass Ball Valve, MIPxPEX

## Product Specifications

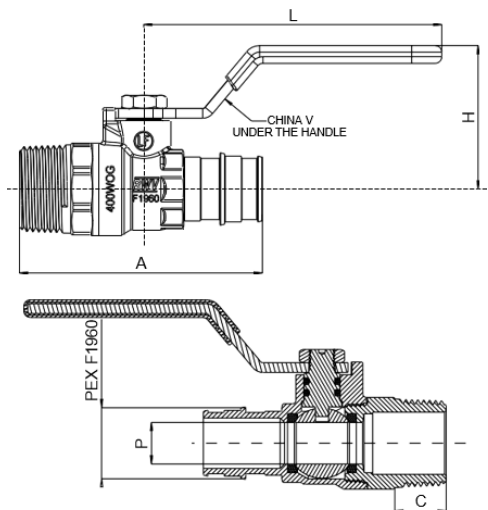
Item	Description	Material	Specification
1	Body	DZR Lead Free Brass	ASTM B927 C27453
2	End Piece	DZR Lead Free Brass	ASTM B927 C27453
3	Ball	DZR Lead Free Brass / Cr Plated	ASTM B927 C27453
4	Seat	PTFE	PTFE
5	Stem	DZR Lead Free Brass	ASTM B927 C27453
6	O-ring	NBR	NSF approved
7	Handle	Steel / De Plated	ASTM A36
8	Handle Nut	Steel / Zn Plated	ASTM A36



## Dimensions (inches), Weights (lbs.), & Valve Data:

Size	A [in]	H [in]	L [in]	P [in]	C [in]	Wt. [lb]
1/2"	2.46	1.38	3.19	0.39	0.61	0.31
3/4"	2.93	1.77	3.58	0.50	0.62	0.46
1"	3.54	1.77	3.58	0.73	0.77	0.72

Pressure/Temperature Ratings	
300 psi from 15°F to 160°F	150 psi max at 200°F



## Warranty

See warranty information for more details.

All dimensions listed are nominal. MAINLINE® reserves the right to make product and material changes at any time without notice. NSF/ANSI 61 & 372



Contact your sales representative for more information or visit our website at [mainlinecollection.com](http://mainlinecollection.com)