



MAINLINE®

UNIVERSAL TOILET FLAPPER

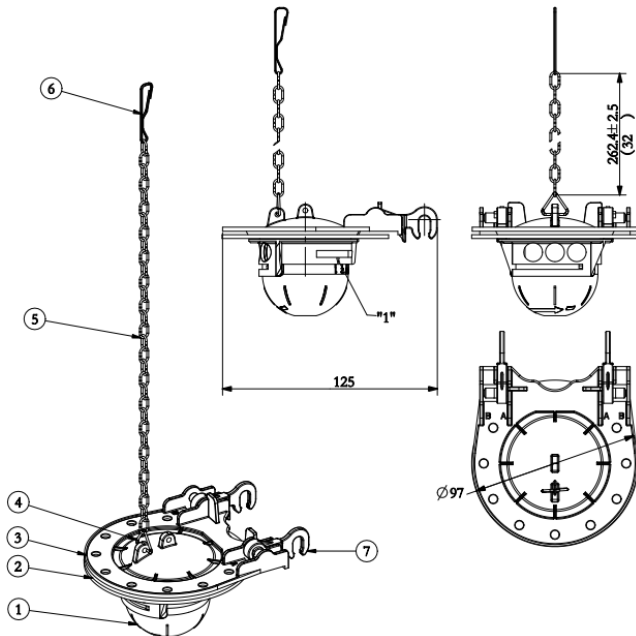
Product Specifications

FEATURES

- 3" adjustable, ridged flapper
- Universal – Fits most 3" flush valves
- Includes stainless steel chain



MLTRP300



No.	Name
1	Air Chamber
2	Seal
3	Flapper
4	Chain
5	Chain
6	Hook
7	Adjuster

Warranty

See warranty information for more details.

All dimensions listed are nominal. MAINLINE® reserves the right to make product and material changes at any time without notice.



Contact your sales representative for more information or visit our website at mainlinecollection.com