



MAINLINE®

Push Connect® Brass MIP 90 Degree Elbows

Product Specifications

PRODUCT FEATURES

- Forged Lead Free* Brass
- Maximum Working Pressure: 200 PSI
- Maximum Temperature Rating: 200° F
- Compatible with Copper, CPVC, PEX & PE-RT
- Replaceable O-Ring Seal Design
- Removable and Reusable
- Push to Connect
- Full Flow
- Available with Pre-Inserted Stiffener
- Dow Corning 111 O-Ring Silicone Lubricant applied

APPROVED APPLICATIONS

- Plumbing
- Heating
- Irrigation
- Underground
- Hydronic Heating
- Behind Walls without Access Panel

NOTE: When using PEX, a tube stiffener should be inserted into the PEX tubing end prior to insertion into the fitting.



FORCES FOR MECHANICAL SEPARATION TEST

Nominal Size		Longitudinal (Pull) Test	
Inches	mm	Lbf	N
3/8 or <	10 or <	100	444.8
1/2	13	150	667

✓To Submit	Part #	Size
	MLU277LF	3/8" x 3/8"
	MLU280LF	1/2" x 1/2"
	MLU286LF	3/4" x 3/4"
	MLU277LF-S	3/8" x 3/8" w/ Stiffener
	MLU280LF-S	1/2" x 1/2" w/ Stiffener
	MLU286LF-S	3/4" x 3/4" w/ Stiffener

Warranty

See warranty information for more details.

All dimensions listed are nominal. MAINLINE® reserves the right to make product and material changes at any time without notice.



*≤ .25% Pb

Contact your sales representative for more information or visit our website at mainlinecollection.com



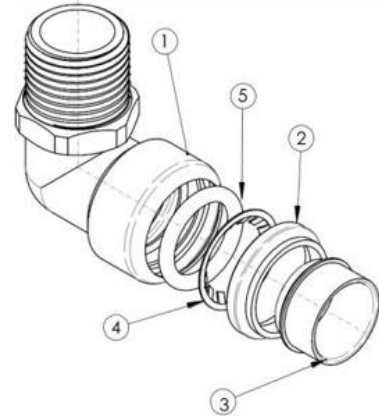
Push Connect[®] Brass MIP 90 Degree Elbows

Product Specifications

MAINLINE[®]

MATERIALS & SPECIFICATIONS

#	Component	Material
1	Body	Lead Free Brass
2	Seat Ring	POM
3	Push Ring	POM
4	Grip ring	Stainless Steel
5	O-Ring Seal	EPDM70



DIMENSIONS

#	Ø	D	L
MLU277LF	0.515	0.81	1.46
MLU280LF	0.638	0.97	1.77
MLU286LF	TBD	TBD	TBD
MLU277LF-S	0.515	0.81	1.46
MLU280LF-S	0.638	0.97	1.77
MLU286LF-S	TBD	TBD	TBD

