



MAINLINE®

Lead Free Brass Ball Valve, PEX

Product Specifications

Product Features:

- 400# WOG
- F1960 full port
- Barb (F1960) x Barb (F1960)
- PEX ends (ASTM F1960)
- Chrome plated ball
- Virgin PTFE seats
- Blow-out proof stem
- Double NBR O-ring packing
- CSA B125.14
- AB1953, NSF/ANSI 61 & 372 certified



Materials & Specifications:

✓ To Submit	Part #	Size
	ML5015AB-1/2 – 2-Piece Full Port Ball Valve	1/2"
	ML5015AB-3/4 – 2-Piece Full Port Ball Valve	3/4"
	ML5015AB-1 – 2-Piece Full Port Ball Valve	1"
	ML5015AB-11/4 – 2-Piece Full Port Ball Valve	1-1/4"
	ML5015AB-11/2 – 2-Piece Full Port Ball Valve	1-1/2"
	ML5015AB-2 – 2-Piece Full Port Ball Valve	2"
	ML5015AB-21/2 – 2-Piece Full Port Ball Valve	2-1/2"
	ML5015AB-3 – 2-Piece Full Port Ball Valve	3"
	ML5015ABW-1/2 – 2-Piece Full Port Ball Valve with Wing Handle	1/2"
	ML5015ABW-3/4 – 2-Piece Full Port Ball Valve with Wing Handle	3/4"
	ML5015ABW-1 – 2-Piece Full Port Ball Valve with Wing Handle	1"
	ML5015ABD-1/2 – 2-Piece Full Port Ball Valve with Drain Port	1/2"
	ML5015ABD-3/4 – 2-Piece Full Port Ball Valve with Drain Port	3/4"
	ML5015ABD-1 – 2-Piece Full Port Ball Valve with Drain Port	1"

Warranty

See warranty information for more details.

All dimensions listed are nominal. MAINLINE® reserves the right to make product and material changes at any time without notice. NSF/ANSI 61 & 372



Contact your sales representative for more information or visit our website at mainlinecollection.com

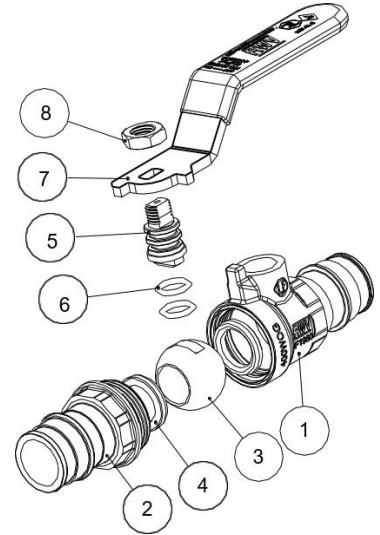


MAINLINE®

Lead Free Brass Ball Valve, PEX

Product Specifications

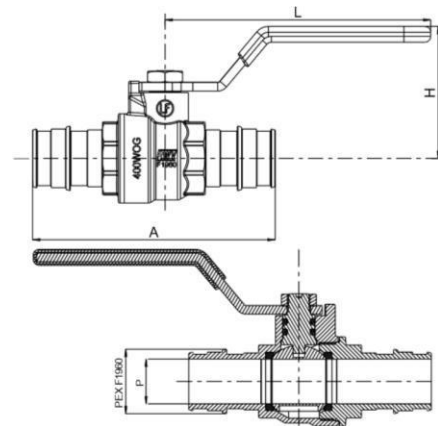
Item	Description	Material	Specification
1	Body	DZR Lead Free Brass	ASTM B927 C27453
2	End Piece	DZR Lead Free Brass	ASTM B927 C27453
3	Ball	DZR Lead Free Brass / Cr Plated	ASTM B927 C27453
4	Seat	PTFE	PTFE
5	Stem	DZR Lead Free Brass	ASTM B927 C27453
6	O-ring	NBR	NSF approved
7	Handle	Steel / De Plated	ASTM A36
8	Nut	Steel / Zn Plated	ASTM A36



Dimensions (inches), Weights (lbs.), & Valve Data:

Size	A [in]	H [in]	L [in]	P [in]	Wt. [lb]
1/2"	2.48	1.38	3.19	0.39	0.28
3/4"	2.48	1.77	3.58	0.50	0.44
1"	3.86	1.77	3.58	0.73	0.68
1 1/4"	4.63	2.03	4.96	0.94	1.16
1 1/2"	5.63	2.24	4.96	1.22	1.62
2"	6.67	2.70	5.55	1.46	2.78
2 1/2"	8.96	3.07	5.55	1.95	5.08
3"	10.81	3.90	7.91	2.44	8.92

Pressure/Temperature Ratings	
300 psi from 15°F to 160°F	150 psi max at 200°F



Warranty

See warranty information for more details.

All dimensions listed are nominal. MAINLINE® reserves the right to make product and material changes at any time without notice. NSF/ANSI 61 & 372



Contact your sales representative for more information or visit our website at mainlinecollection.com