

BLACK POLY-ALLOY (PPSU) F1960 FITTINGS COLD EXPANSION

Product Specifications



FEATURES

- Can be used for potable water, distribution systems and hydronic heating systems
- Use with PEX-F1960 Cold Expansion tool and rings (sold separately)
- Complies with ASTM F1960 standards



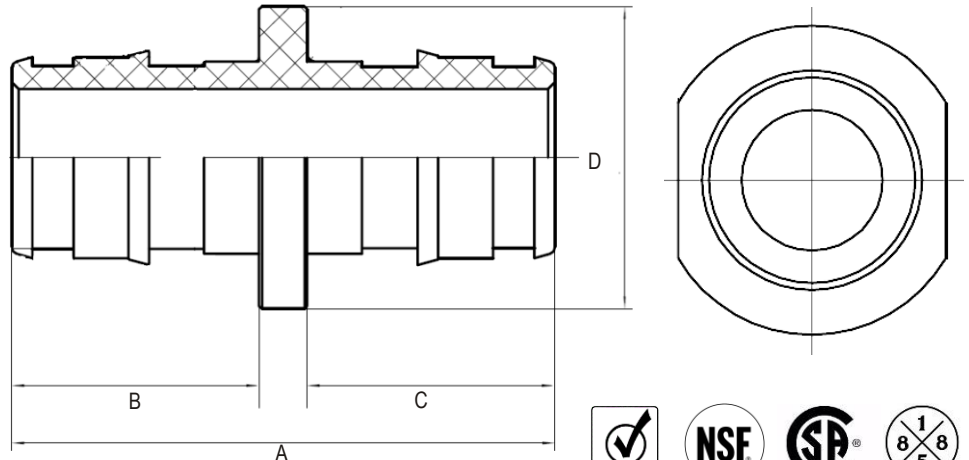
SPECIFICS

- Acudel® 22000 by injection molding
- Working pressure: 100 to 150 psi
- Working temperature: 140 °F (60 °C) to 194 °F (90 °C)
- Potable drinking water
- Hydronic heating system

COMPLIES WITH

- ASTM F1960, CSA B137.5, ANSI/NSF pw-G

COUPLINGS					
Model #	Size	A	B	C	D
MLXPCEC12	1/2	1.555	0.709	0.709	0.866
MLXPCEC34	3/4	2.048	0.955	0.955	1.063
MLXPCEC1	1	2.559	1.191	1.191	1.260
MLXPCEC3412	3/4 × 1/2	1.791	0.955	0.709	1.063
MLXPCEC134	1 × 3/4	2.343	1.191	0.955	1.260



Warranty

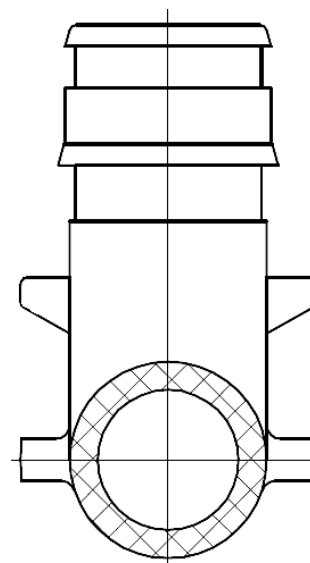
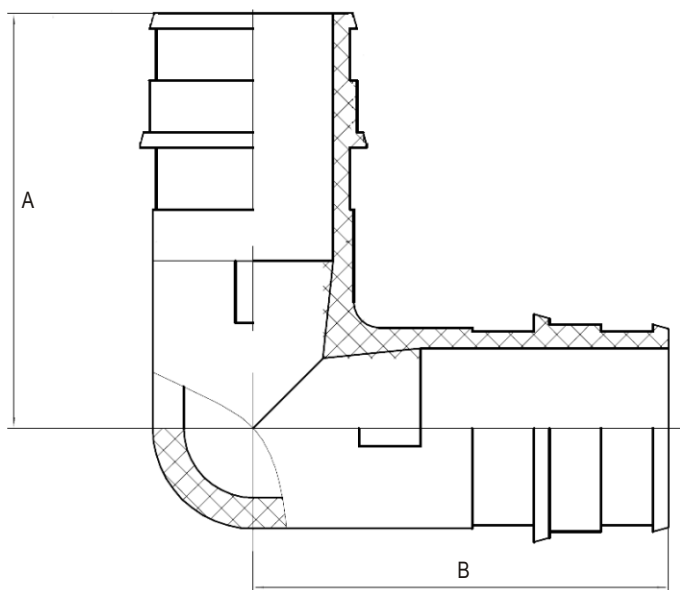
See warranty information for more details.

All dimensions listed are nominal. MAINLINE® reserves the right to make product and material changes at any time without notice.



Contact your sales representative for more information or visit our website at mainlinecollection.com

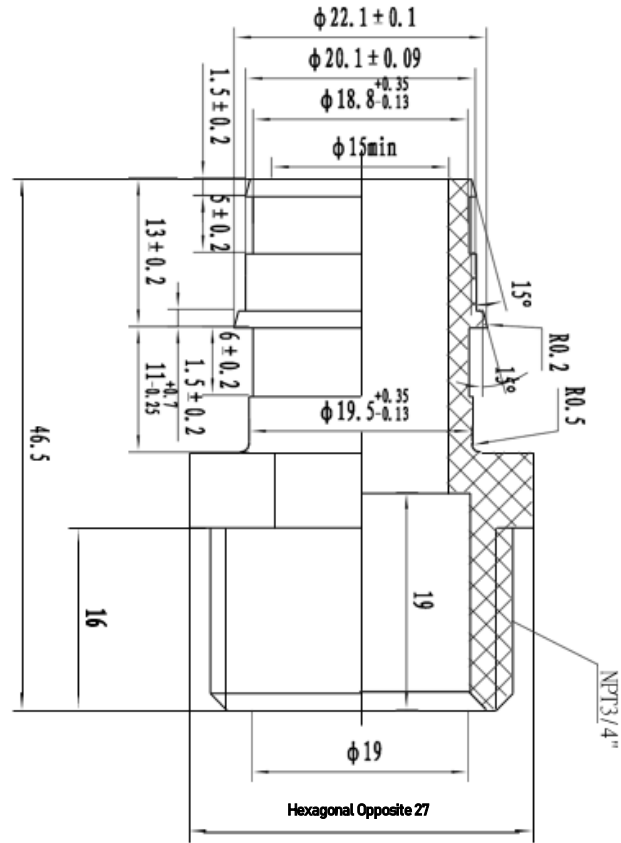
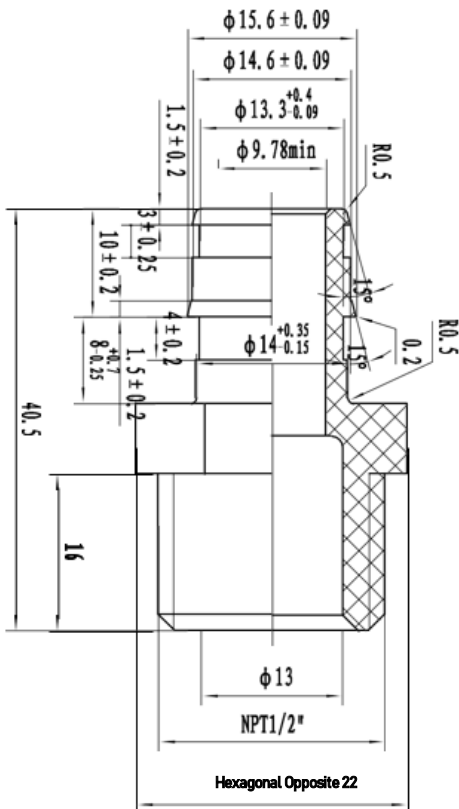
**BLACK POLY-ALLOY (PPSU)
F1960 FITTINGS COLD EXPANSION**



90° ELBOWS			
Model #	Size	A	B
MLXPCEL12	1/2	1.220	1.220
MLXPCEL34	3/4	1.585	1.585
MLXPCEL1	1	1.969	1.969
MLXPCEL3412	3/4 × 1/2	1.417	1.299

BLACK POLY-ALLOY (PPSU) F1960 FITTINGS COLD EXPANSION

Product Specifications



MALE ADAPTER	
Model #	Size
MLPXCEMA12	1/2
MLPXCEMA34	3/4

Contact your sales representative for more information or visit our website at mainlinecollection.com

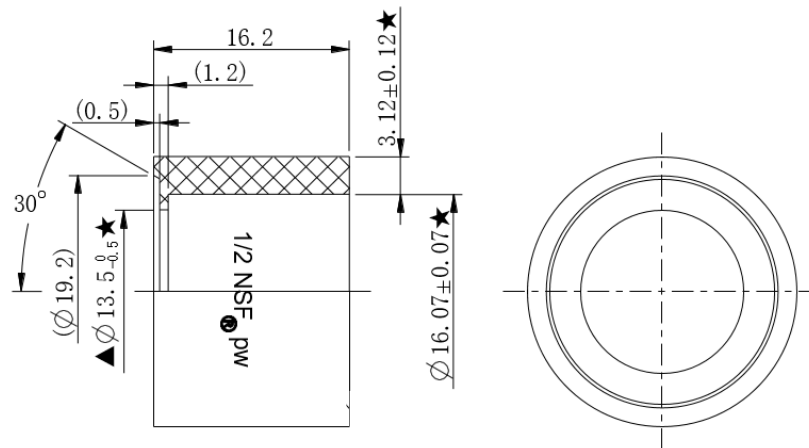
BLACK POLY-ALLOY (PPSU) F1960 FITTINGS COLD EXPANSION

Product Specifications

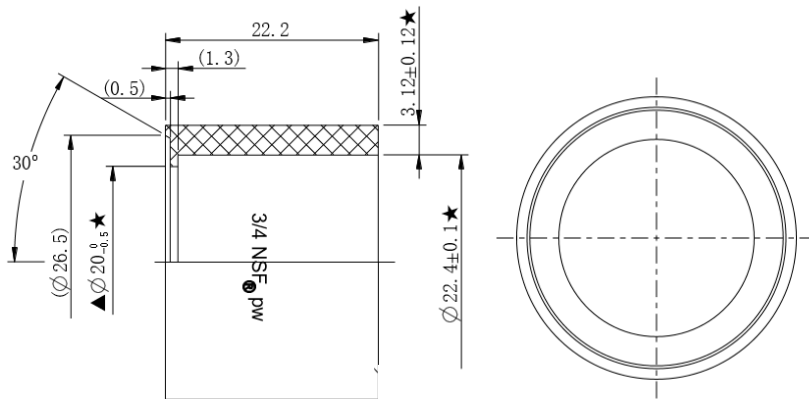


COLD EXPANSION RING	
Model #	Size
MLPX CER12	1/2
MLPX CER34	3/4
MLPX CER1	1

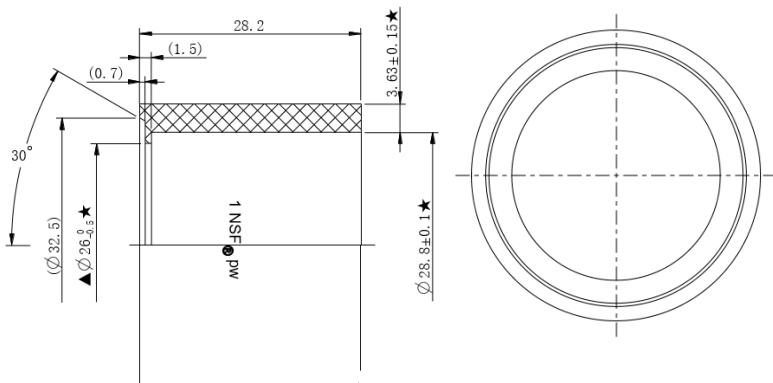
1/2"



3/4"



1"



Contact your sales representative for more information or visit our website at mainlinecollection.com

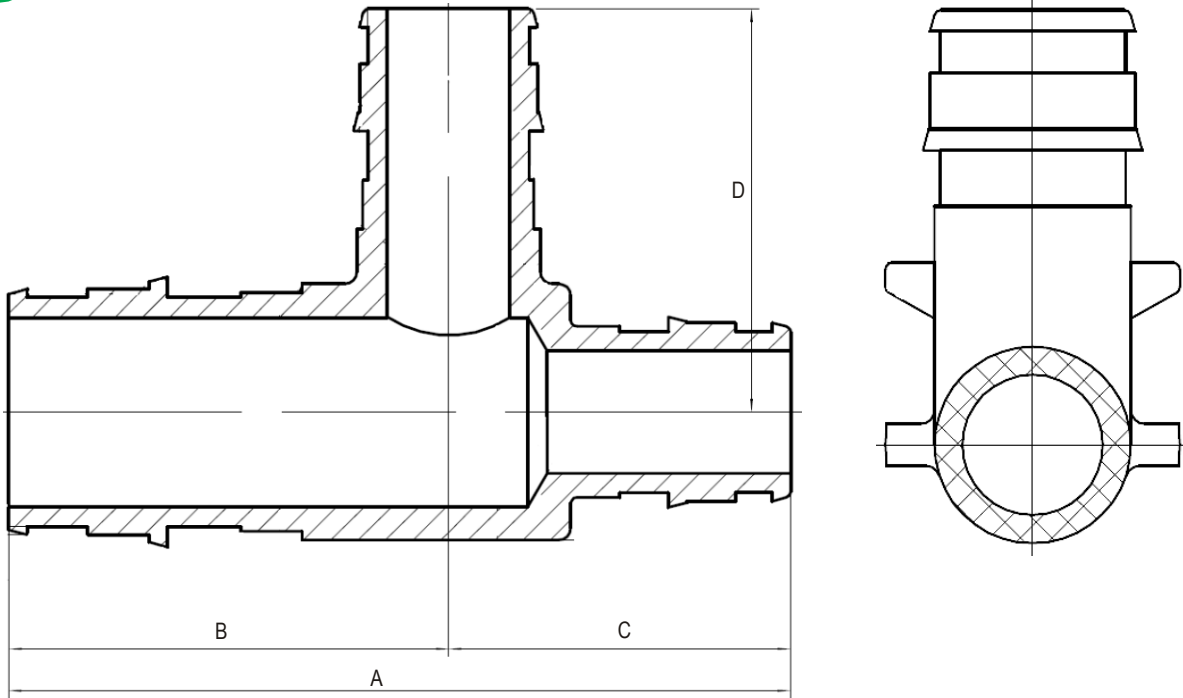


MAINLINE

BLACK POLY-ALLOY (PPSU) F1960 FITTINGS COLD EXPANSION



Complies with:
ASTM F1960
CSA B137.5
ANSI/NSF pw-G



TEES					
Model #	Size	A	B	C	D
MLPXPCE121212	1/2	2.440	1.220	1.220	1.142
MLPXPCE1343434	3/4	3.169	1.585	1.585	1.457
MLPXPCE111	1	3.937	1.969	1.969	1.969
MLPXPCE121234	1/2 x 1/2 x 3/4	2.362	1.181	1.181	1.457
MLPXPCE134341	3/4 x 3/4 x 1	3.465	1.732	1.732	1.870
MLPXPCE1343412	3/4 x 3/4 x 1/2	2.835	1.417	1.417	1.299
MLPXPCE1341234	3/4 x 1/2 x 3/4	2.776	1.576	1.200	1.575
MLPXPCE1341212	3/4 x 1/2 x 1/2	2.520	1.417	1.102	1.299
MLPXPCE113434	1 x 3/4 x 3/4	3.386	1.816	1.570	1.690



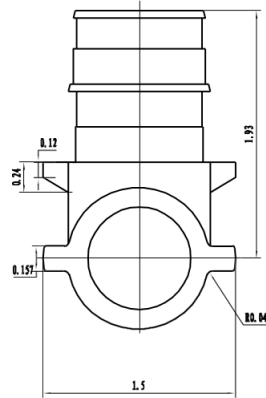
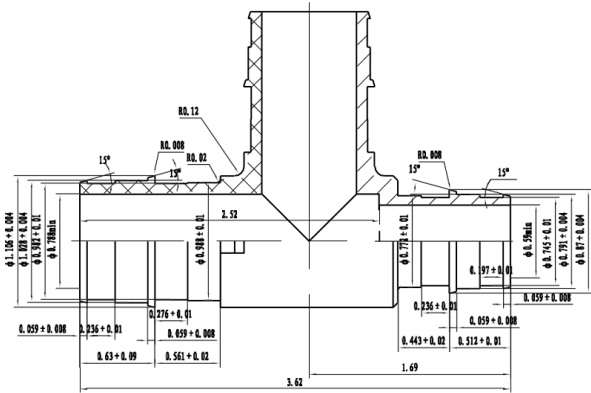
MAINLINE®

BLACK POLY-ALLOY (PPSU) F1960 FITTINGS COLD EXPANSION

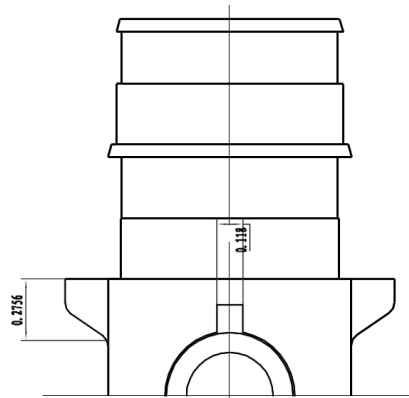
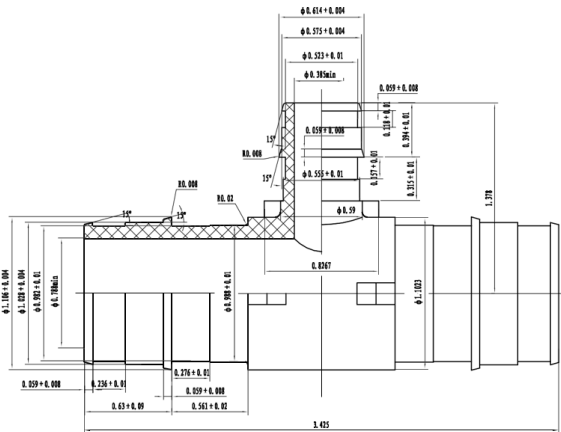
Product Specifications

TEES	
Model #	Size
MLPXPCE1341	1 x 3/4 x 1
MLPXPCE1112	1 x 1 x 1/2
MLPXPCE11134	1 x 1 x 3/4

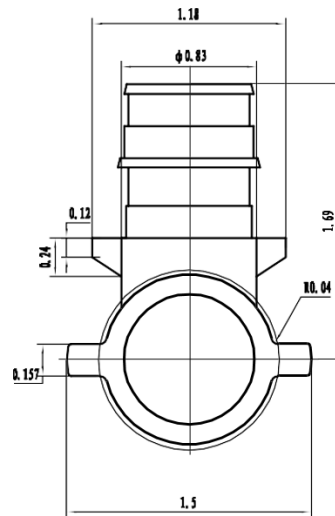
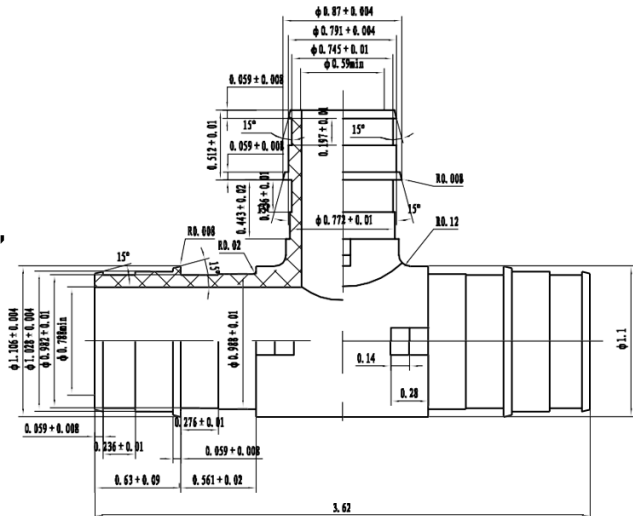
1" x 3/4" x 1"



1" x 1" x 1/2"



1" x 1" x 3/4"

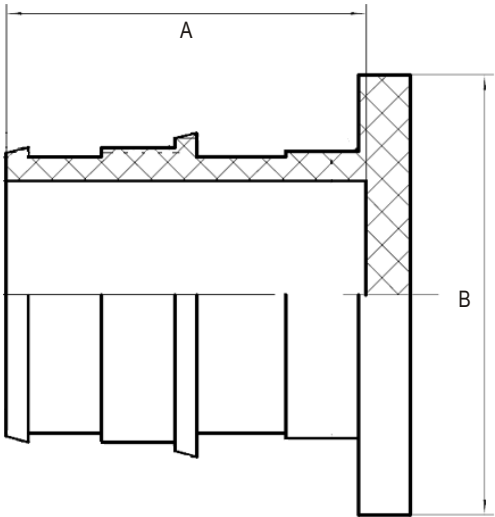


Contact your sales representative for more information or visit our website at mainlinecollection.com



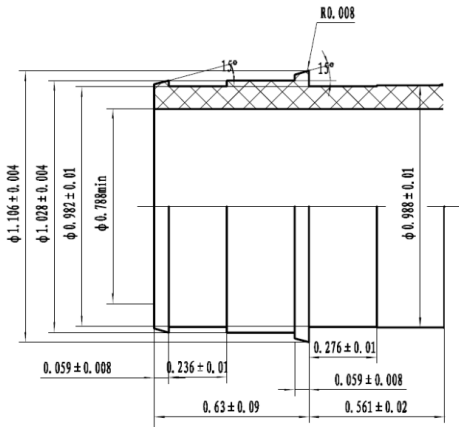
BLACK POLY-ALLOY (PPSU) F1960 FITTINGS COLD EXPANSION

MAINLINE

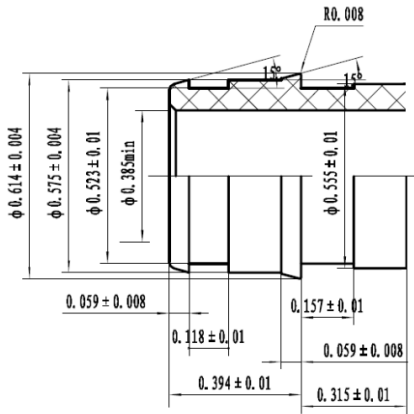


PLUGS			
Model #	Size	A	B
MLPXPCEP12	1/2	0.728	0.866
MLPXPCEP34	3/4	0.976	1.181
MLPXPCEP1	1	1.191	1.256

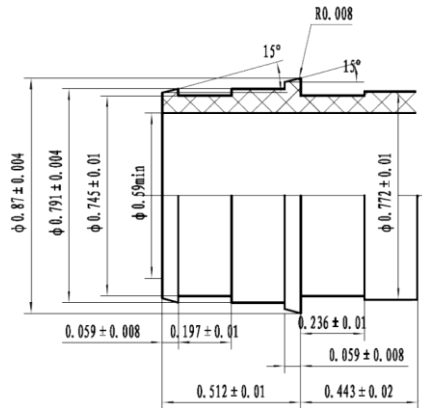
1"



1/2"



3/4"



BLACK POLY-ALLOY (PPSU) F1960 FITTINGS COLD EXPANSION



Material (Acudel 22000) properties	ASTM Test Method	Typical Values ⁽¹⁾			
		U.S.A. Units		Metric Units	
		Value	Unit	Valeur	Unité
Mechanical					
Tensile Strength	D 638	11.2	kpsi	77	MPa
Tensile Modulus	D 638	387	kpsi	2.67	GPa
Tensile Elongation at Yield	D 638	6.7	%	6.7	%
Tensile Elongation at Break	D 638	50	%	50	%
Flexural Strength	D 790	15.7	kpsi	108	MPa
Flexural Modulus	D 790	402	kpsi	2.77	GPa
Tensile Impact Strength	D 1822	175	pi-lb/po ²	388	KJ/m ²
Izod Impact Strength	D 258	2	pi-lb/po	105	KJ/m
Thermal					
Heat Deflection Temperature at 264 psi (1.8 MPA)	D 648	367	°F	197	°C
Electrical					
Dielectric Strength, 1/8" (3.2mm)	D 149	470	V/mil	18.5	kV/mm
Dielectric Constant at 1 MHz	D 150	3.4		3.4	
Dissipation Factor at 1 MHz	D150	0.008		0.008	
Volume Resistivity	D 257	>9 x 10 ¹⁵	ohm - cm	>9 x 10 ¹⁵	ohm - cm
General					
Specific Gravity	D 792	1.28		1.28	
Melt Flow 715°F (360°C), 2.16 kg	D 1238	12	g/10 min.	12	g/10 min.
Mold Shrinkage	D 955	0.7	%	0.7	%
Moisture Absorption, 24 hours	D 570	0.3	%	0.3	%
Moisture Absorption, 30 days	D 570	0.9	%	0.9	%

⁽¹⁾ Properties of individual batches will vary within specification limits. Properties are typical of uncolored material. Colorants or other additives may alter properties.

⁽²⁾ Annealed 0.125 inch (3.2mm) thick specimens.