



Meter Boxes - 10"x15" Rectangular

Product Specifications

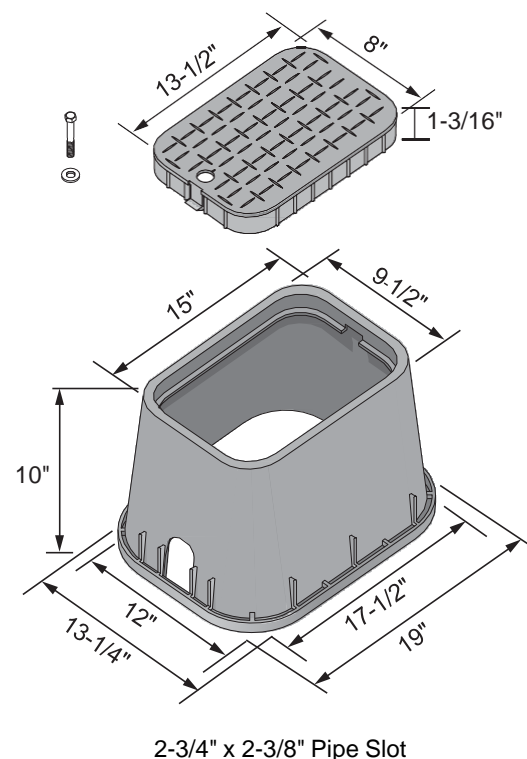
Features:

- Contains UV stabilizer for long term protection
- Tapered body
- Drop-In cover
- Locking brass inserts
- Bolt Down Option

Dimensions & Information:

- Injection molded structural foam polyolefin
- Seat area has double wall with thickness of 0.25" or greater
- Cover thickness of 0.187" on average
- Body wall thickness of 0.13" or greater

Properties of Unfoamed Resin	ASTM Test Method	Polyolefin
Tensile Strength, Yield	ASTM D 638	3100 - 4400 PSI
Density	ASTM D 792	.900 - .956
Notched Izod Impact Strength	ASTM D 256	4 - 15 ft.lbs/in.
Heat Deflection Temp @ 66 PSI, degrees F	ASTM D 648	165 - 212° F



✓ To Submit	Part #	Description	Weight
	MLD1000SG	10"x15" Rectangular Box/Cover Kit, ICV, Black/Green	4.80
	MLD1000RB	10"x15" Rectangular Box/Cover Kit, Drop-In Reader, Water, Black/Black	5.00
	MLD1000SGL	10"x15" Rectangular Drop-In Cover Only, ICV, Green	1.40
	MLD1000RBL	10"x15" Rectangular Drop-In Cover Only, Drop-In Reader, Water, Black	1.60
	MLD1000BO	10"x15" Rectangular Box Only, Black	3.40
	ML113BB	2-1/2" x 3/8" Bolts, For Rectangular Box	0.10

Warranty

See warranty information for more details.

All dimensions listed are nominal. MAINLINE® reserves the right to make product and material changes at any time without notice.



Contact your sales representative for more information or visit our website at mainlinecollection.com