

# Fire Rated MultiBox™ Two-Box Washing Machine Outlet Box System with Quarter Turn Arrestor Valves

## Product Specifications



### Product Features:

- Furnish and install Fire-Rated MultiBox™ Two-Box Washing Machine Outlet Box System
- Boxes may be inter-connected or installed separately
- Valve box includes DWV drain to capture hose leaks, while the drain box contains 2" drain with integrated knockout for DWV testing
- Unit shall be MAINLINE® product code checked below, as manufactured by IPS Corporation.

### Box/Frame Material:

- PVC & Intumescent Pad attached



### Valves:

- Qtr. Turn Arrestor Valves with Sweat, CPVC, PEX or Wirsbo connection as checked below
- Valves comply with ASME A112.18.1/CSA B125.1-05
- Arrestors comply with ASSE 1010

### Available Accessories:

- Water Softener Adapter
- Condensate Adapter
- 3 Universal Faceplates: Open, Solid and Louvered Stabilizer Bar

### Certifications:

- Box 
- Valves 
- Boxes have been certified with the following ratings:  
ASTM E814, 1 Hr (F), 41 Min (T) and 2 Hr (F), 101 Min (T)  
CAN/ULC-S115-1 Hr (F/FH), 41 Min (FT/FTH) and 2 Hr (F/FH), 101 Min (FT/FTH)



✓ To Submit	Part #	Product Description	Model #	Units/Case
	ML83064	Fire Rated Two Box WMOB Box System, Qtr-Turn Arrestor Valves, ½" Sweat Connection	MBFR1200CP	10
	ML83065	Fire Rated Two Box WMOB Box System, Qtr-Turn Arrestor Valves, ½" CPVC Connection	MBFR1201CP	10
	ML83066	Fire Rated Two Box WMOB Box System, Qtr-Turn Arrestor Valves, ½" PEX Connection	MBFR1202CP	10
	ML83067	Fire Rated Two Box WMOB Box System, Qtr-Turn Arrestor Valves, ½" Wirsbo® Connection	MBFR1211CP	10

### Warranty

See warranty information for more details.

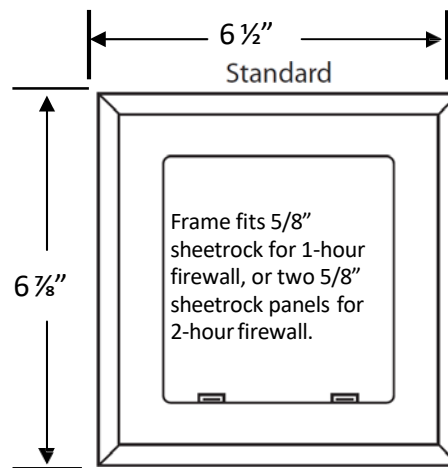
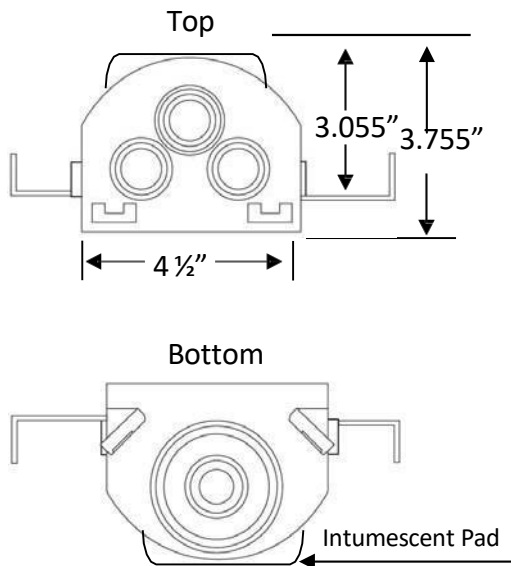
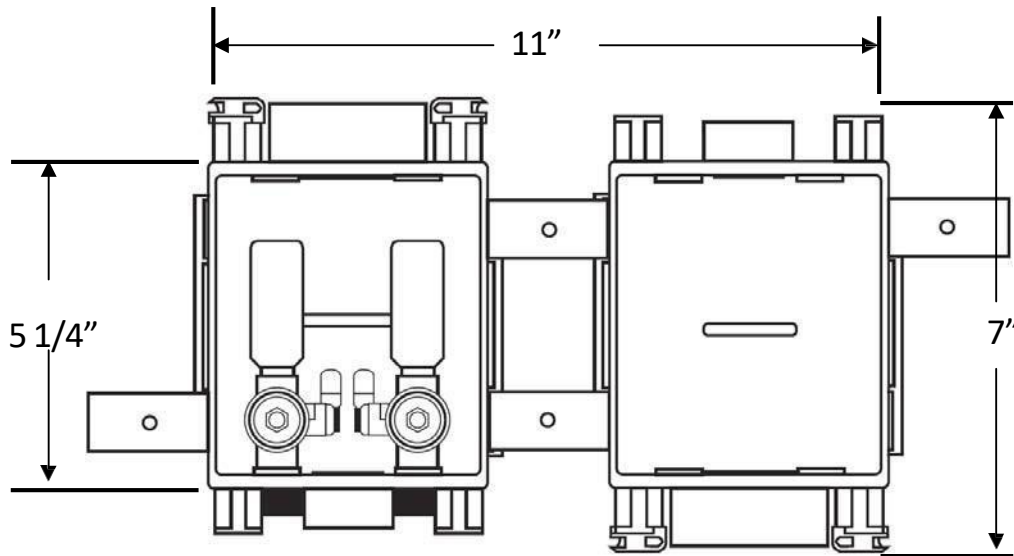
All dimensions listed are nominal. MAINLINE® reserves the right to make product and material changes at any time without notice.



Contact your sales representative for more information or visit our website at [mainlinecollection.com](http://mainlinecollection.com)

# Fire Rated MultiBox™ Two-Box Washing Machine Outlet Box System with Quarter Turn Arrestor Valves

Product Specifications



## Warranty

See warranty information for more details.

All dimensions listed are nominal. MAINLINE® reserves the right to make product and material changes at any time without notice.

Contact your sales representative for more information or visit our website at [mainlinecollection.com](http://mainlinecollection.com)