



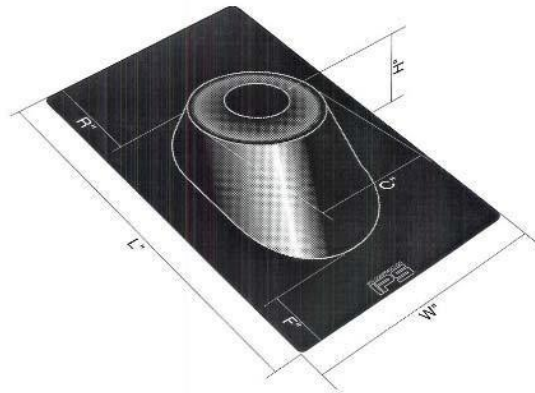
MAINLINE®

Standard Hard Plastic Base Roof Flashing

Product Specifications

FEATURES

- Thermoplastic hard base with elastomer collar
- Collar fits any roof pitch to 45 degrees
- Tested for ultraviolet, ozone, and weather resistance
- Elastomer collar heat tested to 180 degrees Fahrenheit
- Approved for type "B" installations



✓ To Submit	Part #	Description	Dim W	Dim L	Dim R	Dim F	Dim C	Dim H
	ML81750	1-1/4" or 1-1/2" Hard Plastic Roof Flashing	9-1/4"	13"	3-3/8"	2-3/8"	4"	2-1/4"
	ML81755	2" Hard Plastic Roof Flashing	9-1/4"	13"	3-3/8"	2-3/8"	4"	2-1/4"
	ML81760	3" Hard Plastic Roof Flashing	11-1/8"	15"	3-1/2"	2-1/2"	5-3/10"	2-7/8"
	ML81765	4" Hard Plastic Roof Flashing	12"	15-1/2"	3-3/8"	2-1/8"	6-1/4"	2-9/10"
	ML81751	1-1/4" or 1-1/2" Hard Plastic Roof Flashing	11-1/8"	15"	3-1/2"	2-1/2"	5-3/10"	2-7/8"
	ML81756	2" Hard Plastic Roof Flashing	11-1/8"	15"	3-1/2"	2-1/2"	5-3/10"	2-7/8"

Warranty

See warranty information for more details.

All dimensions listed are nominal. MAINLINE® reserves the right to make product and material changes at any time without notice.



Contact your sales representative for more information or visit our website at mainlinecollection.com