



MAINLINE®

Drain Trap Connectors

Product Specifications

PRODUCT FEATURES

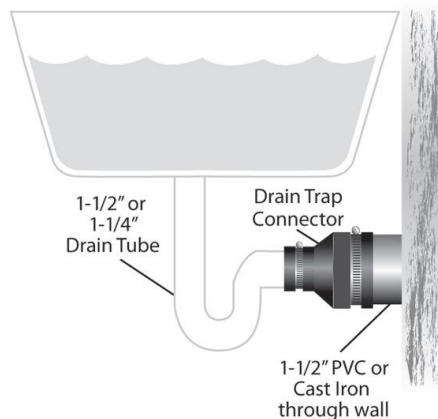
- Sizes 1-1/2" & 2"
- Connect new drain installations or repairs
- No special tools or gluing required – only a slotted screwdriver
- Stainless Steel clamps are rust proof and corrosion resistant

MATERIALS

- Flexible elastomeric connectors
- Stainless Steel clamps:
 - Band – AISI Type 301 Stainless Steel
 - Housing – AISI Type 301 Stainless Steel
 - Screw – AISI Type 305 Stainless Steel 5/16" Slotted Hex Head
- Install to 60 inch-lbs. torque
- Pressure rated to maximum 4.3 PSI



✓ To Submit	Part #	Description
	MLDT-150	1-1/2" Plastic or Cast Iron x 1-1/2" or 1-1/4" Tubular
	MLDT-215	2" Plastic or Cast Iron x 1-1/2" or 1-1/4" Tubular



Warranty

See warranty information for more details.

All dimensions listed are nominal. MAINLINE® reserves the right to make product and material changes at any time without notice.

Contact your sales representative for more information or visit our website at mainlinecollection.com