



MAINLINE

Lead Free* Brass Ball Valve, Press

Product Specifications

✓ To Submit	Part #	Size
	ML5020AB-1/2	1/2"
	ML5020AB-3/4	3/4"
	ML5020AB-1	1"
	ML5020AB-11/4	1-1/4"
	ML5020AB-11/2	1-1/2"
	ML5020AB-2	2"

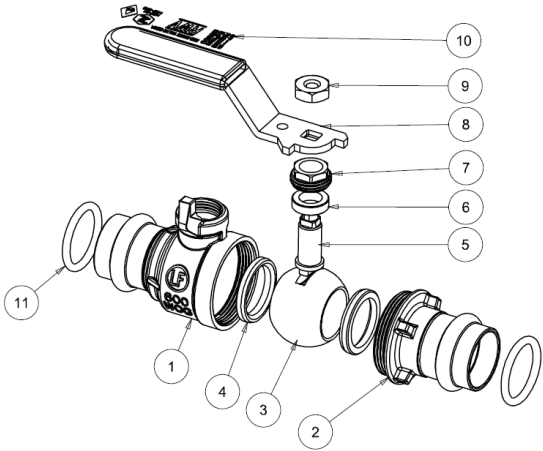
Product Features:

- 600# WOG
- DZR-Brass Body
- Dual Press Ends
- Chrome-Plated Ball
- Virgin PTFE Seats
- Adjustable Packing Nut
- Blow-Out Proof Stem
- 250 psig Max. End Connection
- MSS-SP-110
- AB1953, NSF-61 & NSF-372 Certified



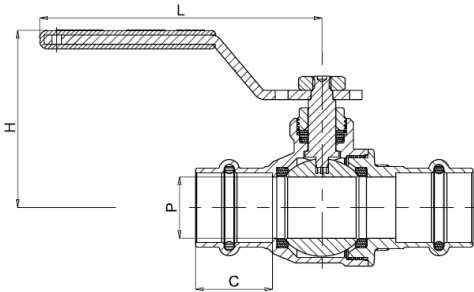
Materials & Specifications:

Item	Description	Material	Specification
1	Body	Low Lead Brass	UNS C27453
2	Body Cap	Low Lead Brass	UNS C27453
3	Ball	Low Lead Brass / Cr Plated	UNS C28500
4	Seat	PTFE	PTFE
5	Stem	Low Lead Brass	UNS C28500
6	Packing Ring	PTFE	PTFE
7	Packing Nut	Brass	B124 C37700
8	Handle	Steel / Geomet Plated	A36 Geomet
9	Handle Nut	Steel / Zn Plated	A36
10	Valve Info	-	-
11	O-ring	EPDM Perox	NSF Approved



Dimensions (inches), Weights (lbs.), & Valve Data:

Size	1/2"	3/4"	1"	1-1/4"	1-1/2"	2"
C	0.79	0.91	0.95	1.22	1.42	1.73
H	2.13	2.26	2.58	2.82	3.29	3.58
L	3.6	3.6	4.98	4.98	5.57	5.57
P	0.59	0.79	0.98	1.26	1.57	1.97
Wt	0.55	0.83	1.26	1.84	2.93	4.63
Cv	15	30	60	110	130	360
T max °F	266	266	266	266	266	266
P max valve @ 200°F	600	600	600	600	600	600
P max connection psi	200	200	200	200	200	200



Warranty

See warranty information for more details.

All dimensions listed are nominal. MAINLINE® reserves the right to make product and material changes at any time without notice.

Contact your sales representative for more information or visit our website at mainlinecollection.com