



MAINLINE®

Sure Grip Low Pattern Flange

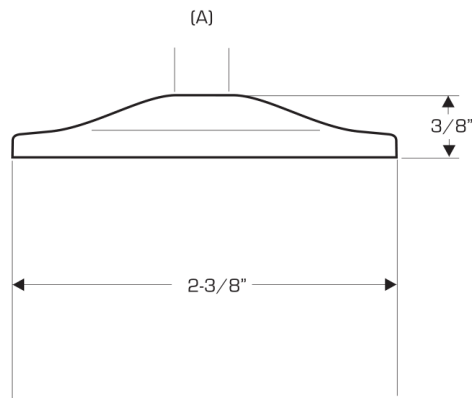
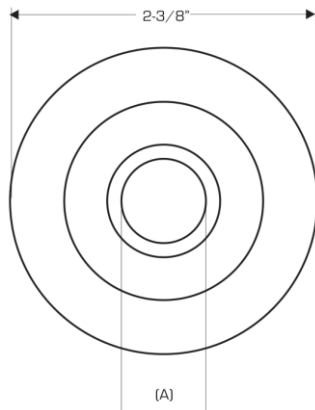
Product Specifications



TECHNICAL SPECS

- Description: Sure Grip Low Pattern
- Type: Escutcheon
- Material: Metal
- Application: Universal
- Finish: Chrome Plated

✓ To Submit	Part #	Description	(A) Escutcheon Diameter - inches
	ML90101	Sure Grip Low Pattern Flange	3/8" IPS
	ML90102	Sure Grip Low Pattern Flange	1/2" IPS
	ML90111	Sure Grip Low Pattern Flange	3/4" IPS
	ML90112	Sure Grip Low Pattern Flange	1" IPS
	ML90103	Sure Grip Low Pattern Flange	1 1/2" IPS (3" OD)
	ML90122	Sure Grip Low Pattern Flange	1 1/2" IPS (3 1/2" OD)
	ML90104	Sure Grip Low Pattern Flange	2" IPS
	ML90105	Sure Grip Low Pattern Flange	5/8" OD
	ML90106	Sure Grip Low Pattern Flange	7/8" OD
	ML90107	Sure Grip Low Pattern Flange	1 1/8" OD



Warranty

See warranty information for more details.

All dimensions listed are nominal. MAINLINE® reserves the right to make product and material changes at any time without notice.



Contact your sales representative for more information or visit our website at mainlinecollection.com