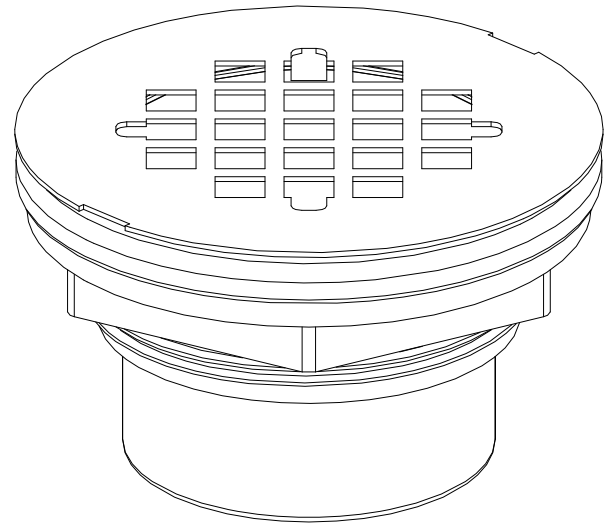
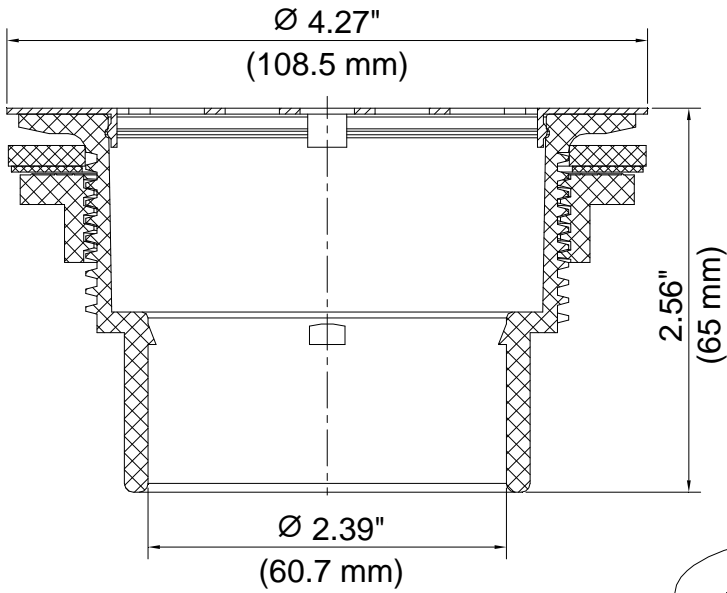
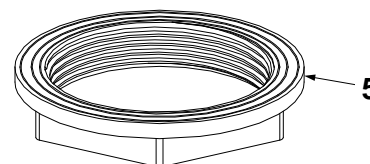
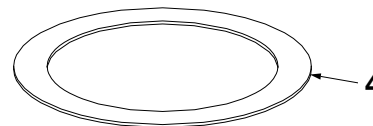
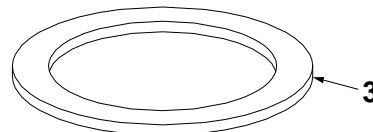
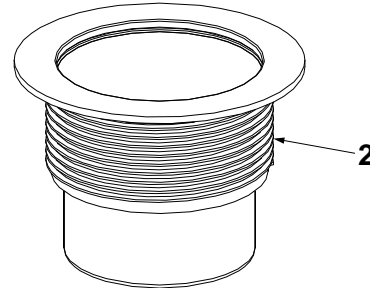
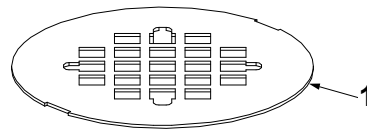


SPECIFICATIONS

- 2" PVC Solvent Weld Shower Drain
- Solvent Weld to 2" DWV or Schedule 40 PVC Pipe
- Snap-in Stainless Steel Strainer



ML42097



| No. | Part Name | Material |
|-----|--------------|-----------------|
| 1 | Strainer | Stainless Steel |
| 2 | Body | PVC/White |
| 3 | Washer | Rubber |
| 4 | Paper Washer | Duplex Paper |
| 5 | Lock Nut | PVC/White |

| CROSS REFERENCE | |
|-----------------|------------------|
| 42097 | 825-27P |
| D41-007 | 67018 or ABA3409 |
| FD2260-PV2 | 86040 or 4820-2 |

CERTIFICATIONS

- cUPC

