

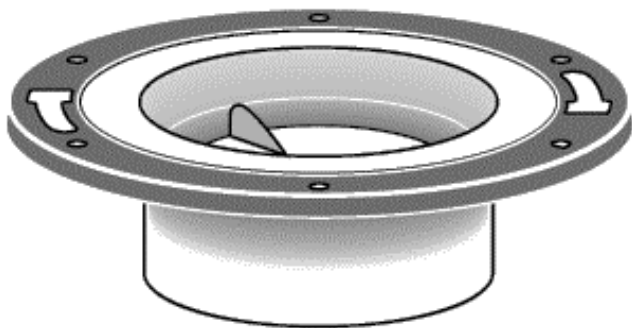
Adjustable Ring Closet Flange

Product Specifications

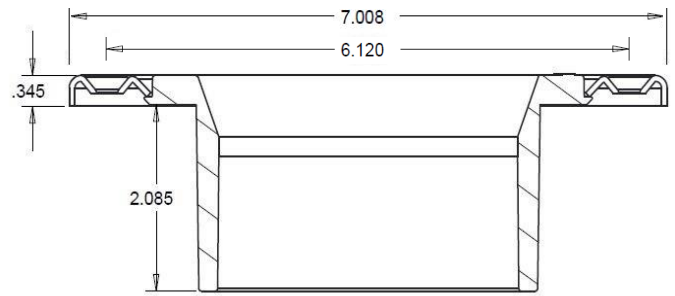
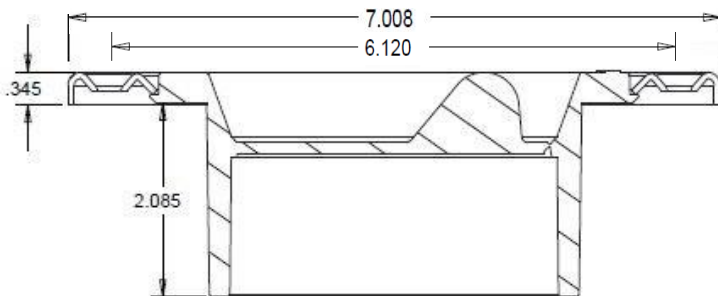
FEATURES

- Fits outside 3" or inside 4" SCH 40 DWV pipe
- 6 countersunk screw holes for anchoring to the sub floor
- Available in PVC or ABS with and without knockout

With Test Cap



Without Test Cap



✓ To Submit	Part #	Description
	ML11316	3" or 4" PVC Adjustable Metal Ring Closet Flange w/ Test Cap
	ML11317	3" or 4" ABS Adjustable Metal Ring Closet Flange w/ Test Cap
	ML11318	3" or 4" PVC Adjustable Metal Ring Closet Flange
	ML11319	3" or 4" ABS Adjustable Metal Ring Closet Flange
	ML86179	3" or 4" PVC Adjustable S/S Ring Closet Flange
	ML86182	3" or 4" ABS Adjustable S/S Ring Closet Flange

Warranty

See warranty information for more details.

All dimensions listed are nominal. MAINLINE® reserves the right to make product and material changes at any time without notice.



Contact your sales representative for more information or visit our website at mainlinecollection.com