

MultiBox™, Washing Machine Outlet Box System with Quarter Turn Valves with Hammer Arrestors



Product Specifications

Product Features:

- Furnish and install single MultiBox™ Washing Machine Outlet Box
- Unit shall be MAINLINE® product code checked below, as manufactured by IPS Corporation

Box/Frame Material:

- PVC

Valve:

- Qtr. Turn Arrestor Valves with Sweat, CPVC, PEX or Wirsbo connection as checked below
- Valves comply with ASME A112.18.1/CSA B125.1-05
- Arrestors comply with ASSE 1010



Available Accessories:

- 3 Universal Faceplates: Open, Solid and Louvered Stabilizer Bar

Certifications:

- Box 
- Valve 

✓ To Submit	Part #	Product Description	Model #	Units/Case
	ML82902	WMOB, Qtr-turn Arrestor Valves, ½" Sweat Connection, CP	MBS1200HACP	10
	ML82903	WMOB, Qtr-turn Arrestor Valves, ½" CPVC Connection, CP	MBS1201HACP	10
	ML82904	WMOB, Qtr-turn Arrestor Valves, ½" PEX Connection, CP	MBS1202HACP	10
	ML82905	WMOB, Qtr-turn Arrestor Valves, ½" Wirsbo Connection, CP	MBS1211HACP	10

Warranty

See warranty information for more details.

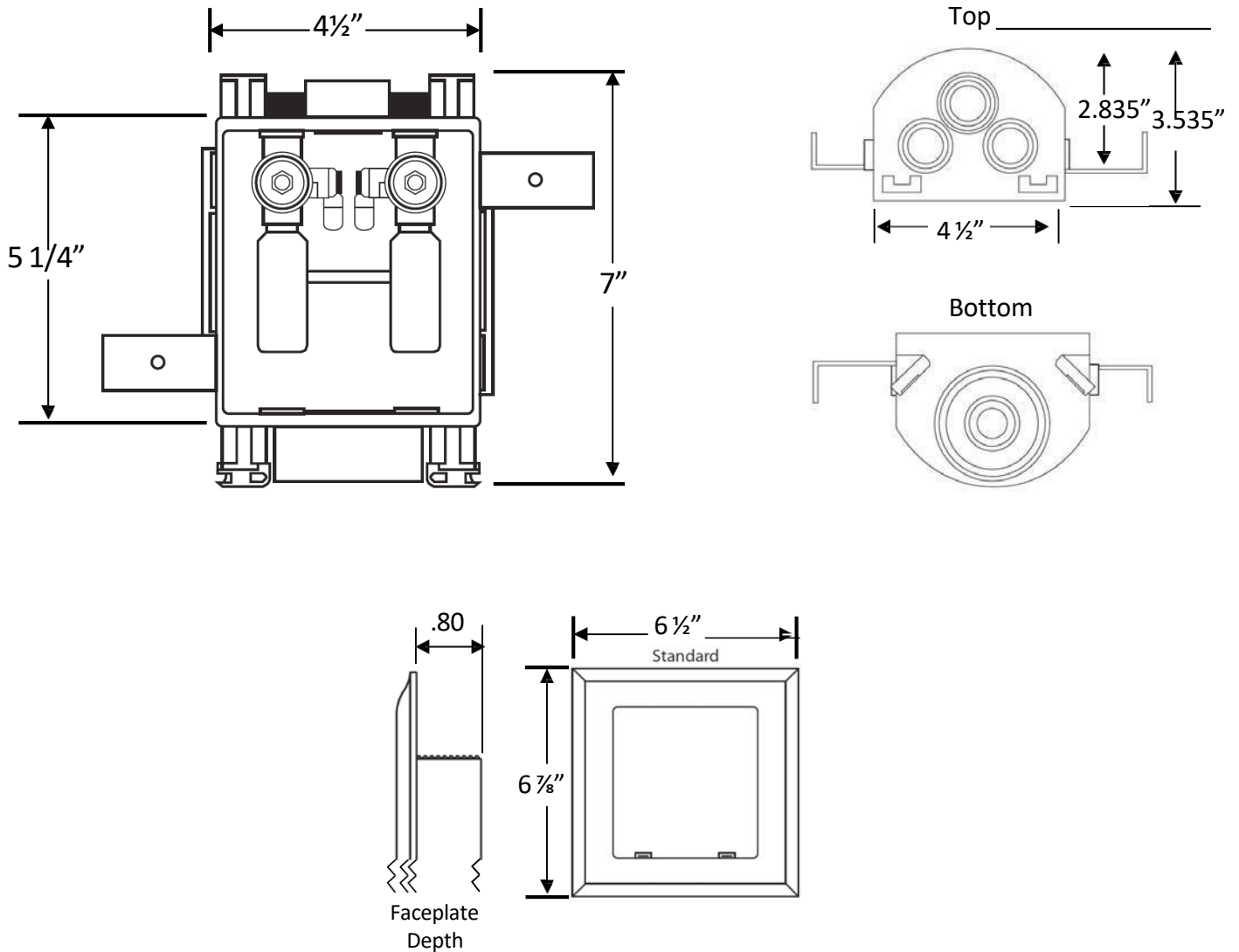
All dimensions listed are nominal. MAINLINE® reserves the right to make product and material changes at any time without notice.



Contact your sales representative for more information or visit our website at mainlinecollection.com

MultiBox™, Washing Machine Outlet Box System with Quarter Turn Valves with Hammer Arrestors

Product Specifications



Warranty

See warranty information for more details.

All dimensions listed are nominal. MAINLINE® reserves the right to make product and material changes at any time without notice.



Contact your sales representative for more information or visit our website at mainlinecollection.com