



Push Connect® Brass FIP Drop Ear Elbows

Product Specifications

MAINLINE®

PRODUCT FEATURES

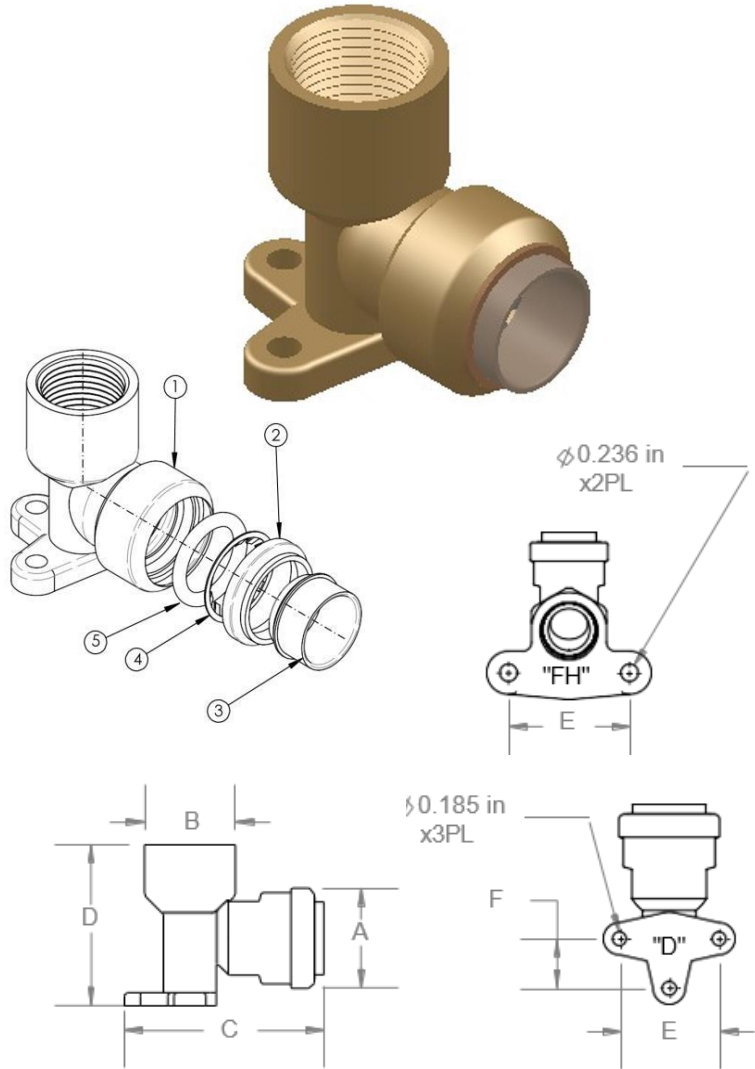
- Forged Lead Free* Brass
- Maximum Working Pressure: 200 PSI
- Maximum Temperature Rating: 200° F
- Compatible with Copper, CPVC, PEX & PE-RT
- Replaceable O-Ring Seal Design
- Removable and Reusable
- Push to Connect
- Full Flow
- Available with Pre-Inserted Stiffener

APPROVED APPLICATIONS

- Plumbing
- Heating
- Irrigation
- Underground
- Hydronic Heating
- Behind Walls without Access Panel

NOTE: When using PEX, a tube stiffener should be inserted into the PEX tubing end prior to insertion into the fitting.

MATERIALS & SPECIFICATIONS



#	Component	Material
1	Body	Lead Free Brass
2	Seat Ring	POM
3	Push Ring	POM
4	Grip ring	Stainless Steel
5	O-Ring Seal	EPDM70

✓ To Submit	Part #	Size
	MLU328LF	3/8"
	MLU332LF	3/8"
	MLU249LF	1/2"
	MLU335LF	1/2"
	MLU334LF	1/2"
	MLU340LF	3/4"
	MLU328LF-S	3/8" w/ Stiffener
	MLU332LF-S	3/8" w/ Stiffener
	MLU249LF-S	1/2" w/ Stiffener
	MLU335LF-S	1/2" w/ Stiffener
	MLU334LF-S	1/2" w/ Stiffener
	MLU340LF-S	3/4" w/ Stiffener

DIMENSIONS

#	Wt (oz)	A	B	C	D	E	F
MLU328LF	3.36	0.87	3/8" FNPT	1.78	1.75	1.11	0.55
MLU332LF	3.37	0.87	1/2" FNPT	2.00	1.75	1.11	0.55
MLU249LF	3.43	1.05	1/2"	2.13	2.14	1.11	0.55
MLU335LF	4.40	1.05	1/2" FNPT	2.16	1.71	1.65	N/A
MLU334LF	3.50	1.05	1/2" FNPT	2.10	1.75	1.11	0.55
MLU340LF	5.88	1.35	3/4" FNPT	2.70	2.17	1.34	0.67

Warranty

See warranty information for more details.

All dimensions listed are nominal. MAINLINE® reserves the right to make product and material changes at any time without notice.



Contact your sales representative for more information or visit our website at mainlinecollection.com