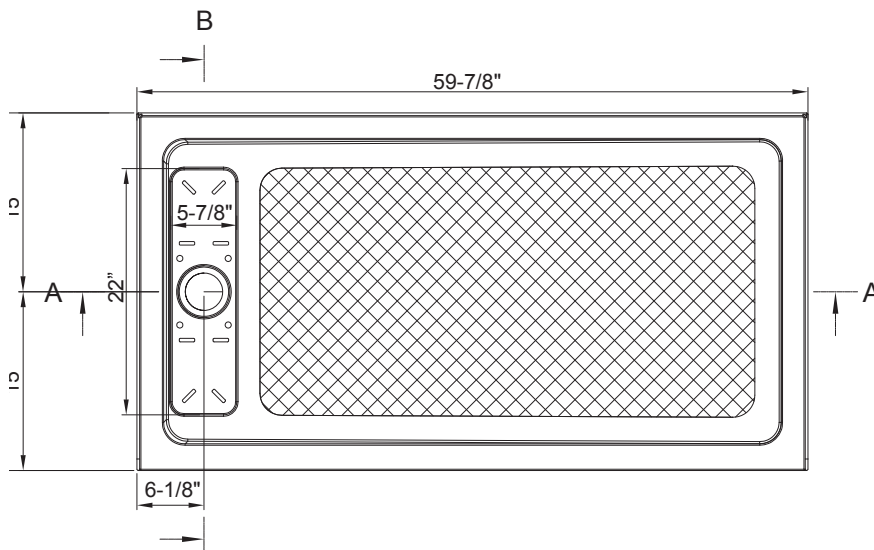
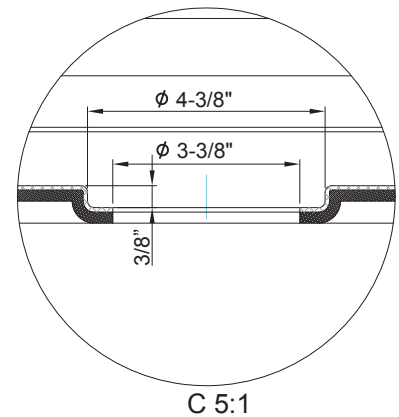
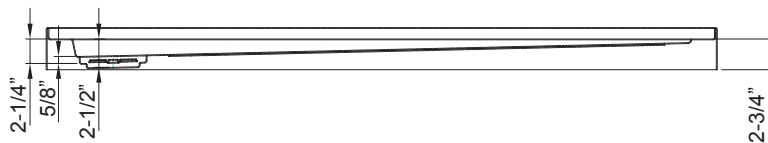
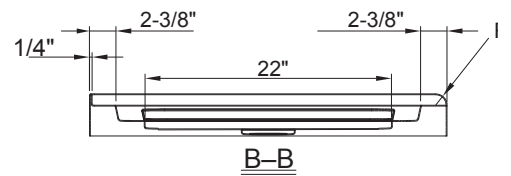
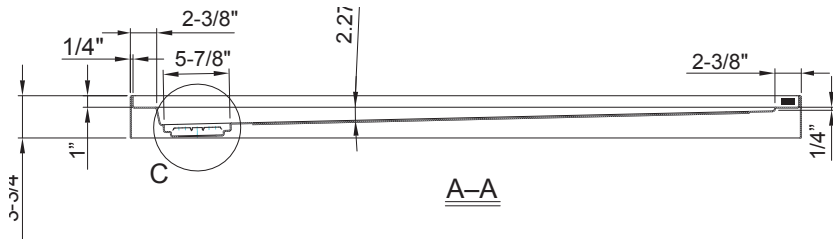




# ACRYLIC SHOWER BASE

- High gloss acrylic surface for a bright shine
- Easy to clean, scratch and stain resistant
- Reinforced, easy-to-step over threshold
- Spacious slip resistant area for showering
- Easy to install for both new construction and remodel projects
- Screw flange direct to stud, no T-brace or clips required
- Covered with protective film to maintain finish during installation
- 5-Year Consumer, 2-Year Commercial Limited Warranty
- Meets ANSI and CSA Standards

**MODEL: LXSB6030CDL**



LXSB6030CDL	
Description	Shower Base
Material	acrylic
Bottom Slope	2%-4%
Dimensions	inch

Need Help? Please call our toll-free customer service line at 1-225-295-4212 for additional assistance or service. If you have any questions or concerns regarding our warranty plan, please email: [customerservice@1858brands.com](mailto:customerservice@1858brands.com)

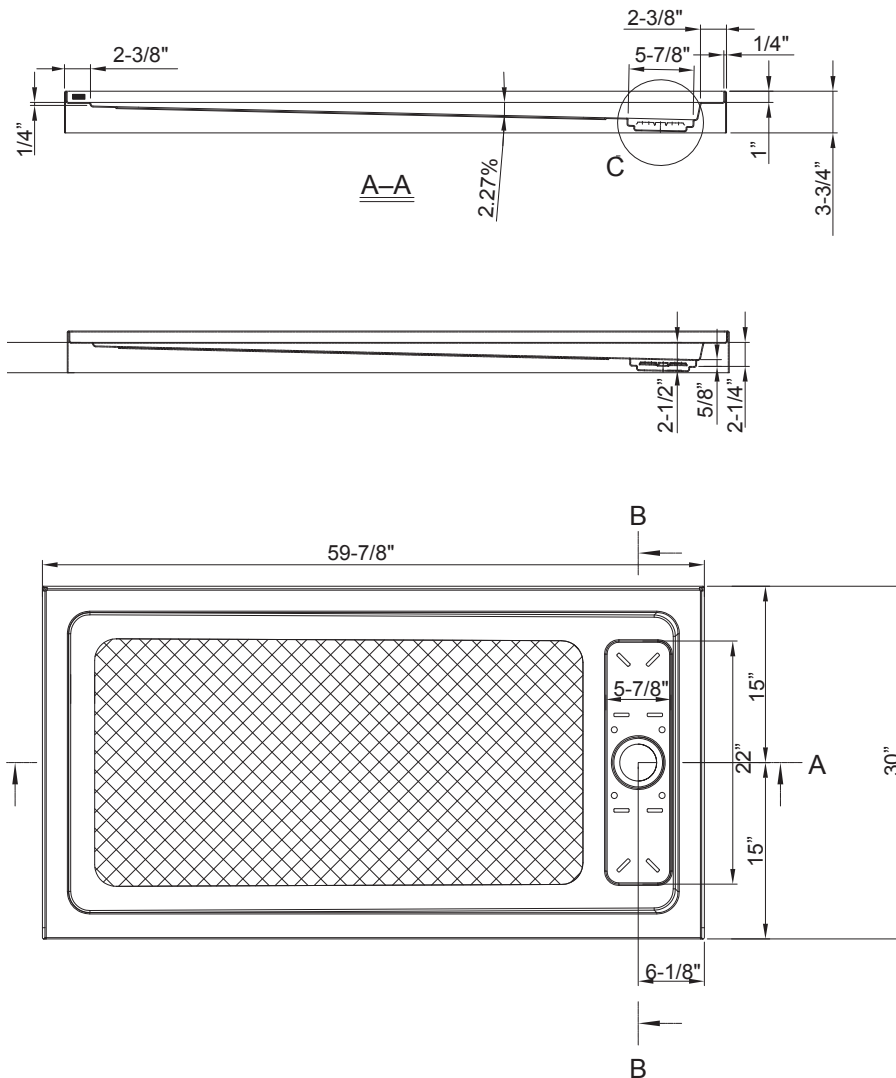




# ACRYLIC SHOWER BASE

- High gloss acrylic surface for a bright shine
- Easy to clean, scratch and stain resistant
- Reinforced, easy-to-step over threshold
- Spacious slip resistant area for showering
- Easy to install for both new construction and remodel projects
- Screw flange direct to stud, no T-brace or clips required
- Covered with protective film to maintain finish during installation
- 5-Year Consumer, 2-Year Commercial Limited Warranty
- Meets ANSI and CSA Standards

**MODEL: LXSB6030CDR**



LXSB6030CDR	
Description	Shower Base
Material	acrylic
Bottom Slope	2%-4%
Dimensions	inch

Need Help? Please call our toll-free customer service line at 1-225-295-4212 for additional assistance or service. If you have any questions or concerns regarding our warranty plan, please email: [customerservice@1858brands.com](mailto:customerservice@1858brands.com)

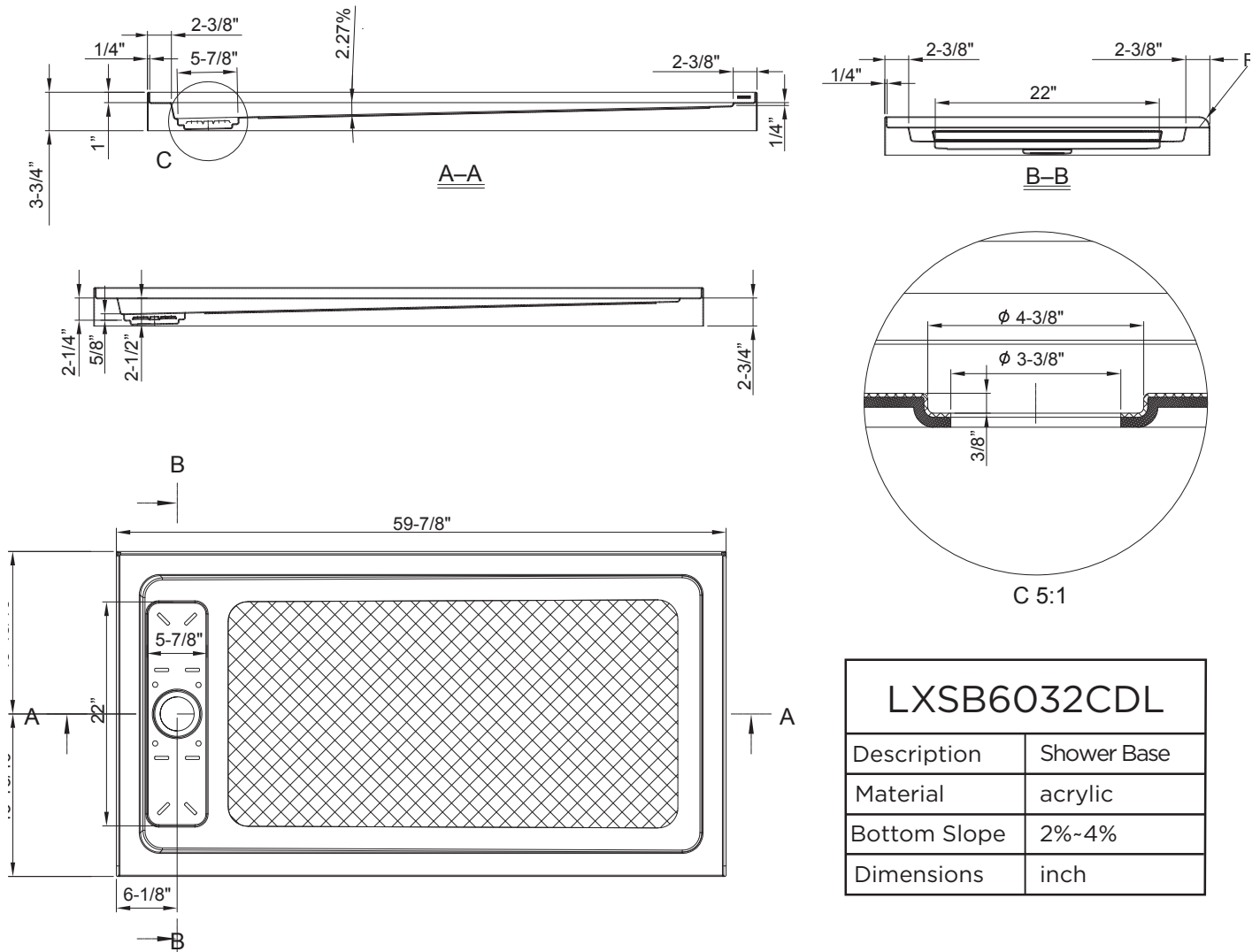




# ACRYLIC SHOWER BASE

- High gloss acrylic surface for a bright shine
- Easy to clean, scratch and stain resistant
- Reinforced, easy-to-step over threshold
- Spacious slip resistant area for showering
- Easy to install for both new construction and remodel projects
- Screw flange direct to stud, no T-brace or clips required
- Covered with protective film to maintain finish during installation
- 5-Year Consumer, 2-Year Commercial Limited Warranty
- Meets ANSI and CSA Standards

**MODEL: LXSB6032CDL**



LXSB6032CDL	
Description	Shower Base
Material	acrylic
Bottom Slope	2%-4%
Dimensions	inch

Need Help? Please call our toll-free customer service line at 1-225-295-4212 for additional assistance or service. If you have any questions or concerns regarding our warranty plan, please email: [customerservice@1858brands.com](mailto:customerservice@1858brands.com)

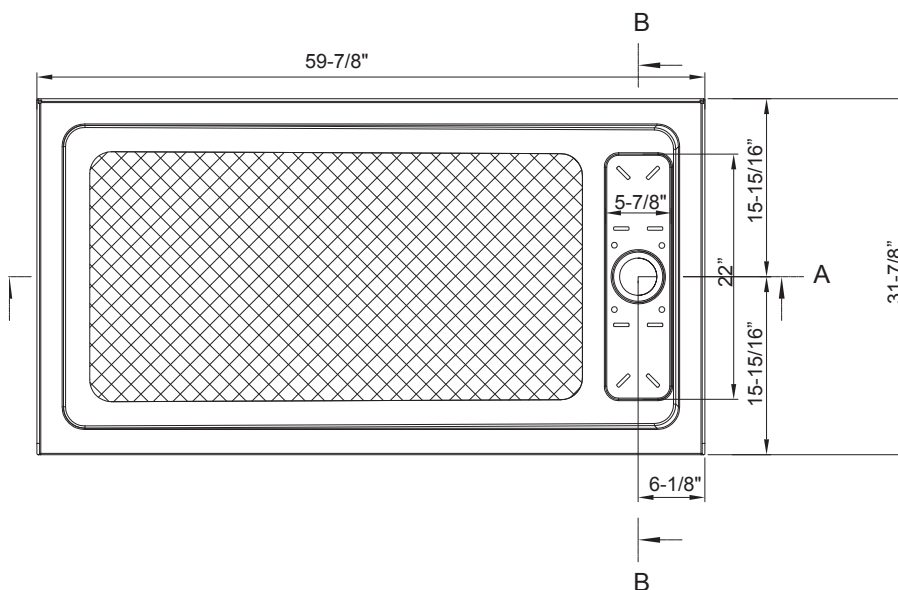
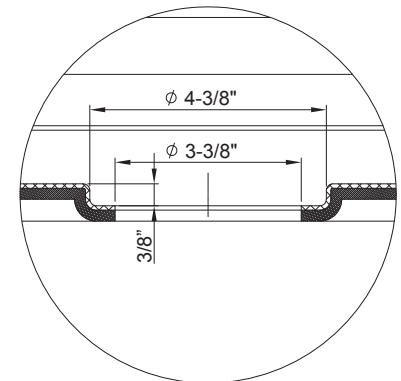
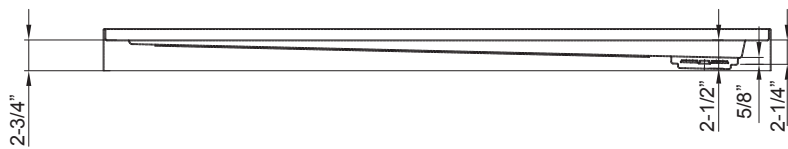
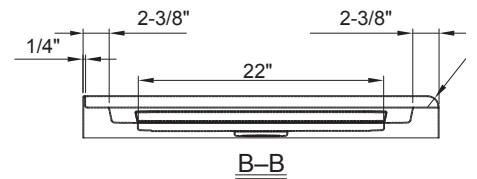
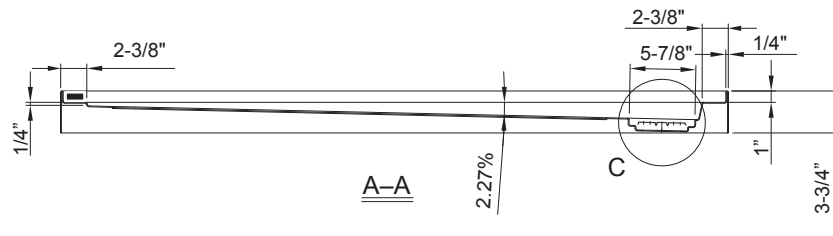




# ACRYLIC SHOWER BASE

- High gloss acrylic surface for a bright shine
- Easy to clean, scratch and stain resistant
- Reinforced, easy-to-step over threshold
- Spacious slip resistant area for showering
- Easy to install for both new construction and remodel projects
- Screw flange direct to stud, no T-brace or clips required
- Covered with protective film to maintain finish during installation
- 5-Year Consumer, 2-Year Commercial Limited Warranty
- Meets ANSI and CSA Standards

**MODEL: LXSB6032CDR**



LXSB6032CDR	
Description	Shower Base
Material	acrylic
Bottom Slope	2%~4%
Dimensions	inch

Need Help? Please call our toll-free customer service line at 1-225-295-4212 for additional assistance or service. If you have any questions or concerns regarding our warranty plan, please email: [customerservice@1858brands.com](mailto:customerservice@1858brands.com)

