

Smart Bidet Electronic Toilet Seat

LUXART®

Product Specifications

Features

- Hybrid heater for continuous heated water
- Heated seat with adjustable temperature settings
- Self-cleaning stainless-steel wand with UV light sanitation
- LED nightlight illuminates bowl
- Remote control
- Filtered water
- Front and rear wash modes
- Adjustable water temperature and pressure
- Oscillating or pulsating spray
- Warm air dryer with adjustable speed and temperature
- White, plastic, elongated seat with slow close
- Low profile, non-obtrusive design
- Antimicrobial coating inhibits the growth of microorganisms
- Easy clean and change for quick and easy seat removal
- Tight bumpers hold seat firmly in place
- All parts are included for standard installation



LXBSEAT100

Applicable Standards / Codes

- ETL
- UL
- CUPC

✓ To Submit	Part #	Description
	LXBSEAT100	16.14"x20.39"x4.29"



Warranty

See warranty information for more details.

All dimensions listed are nominal. Luxart® reserves the right to make product and material changes at any time without notice.



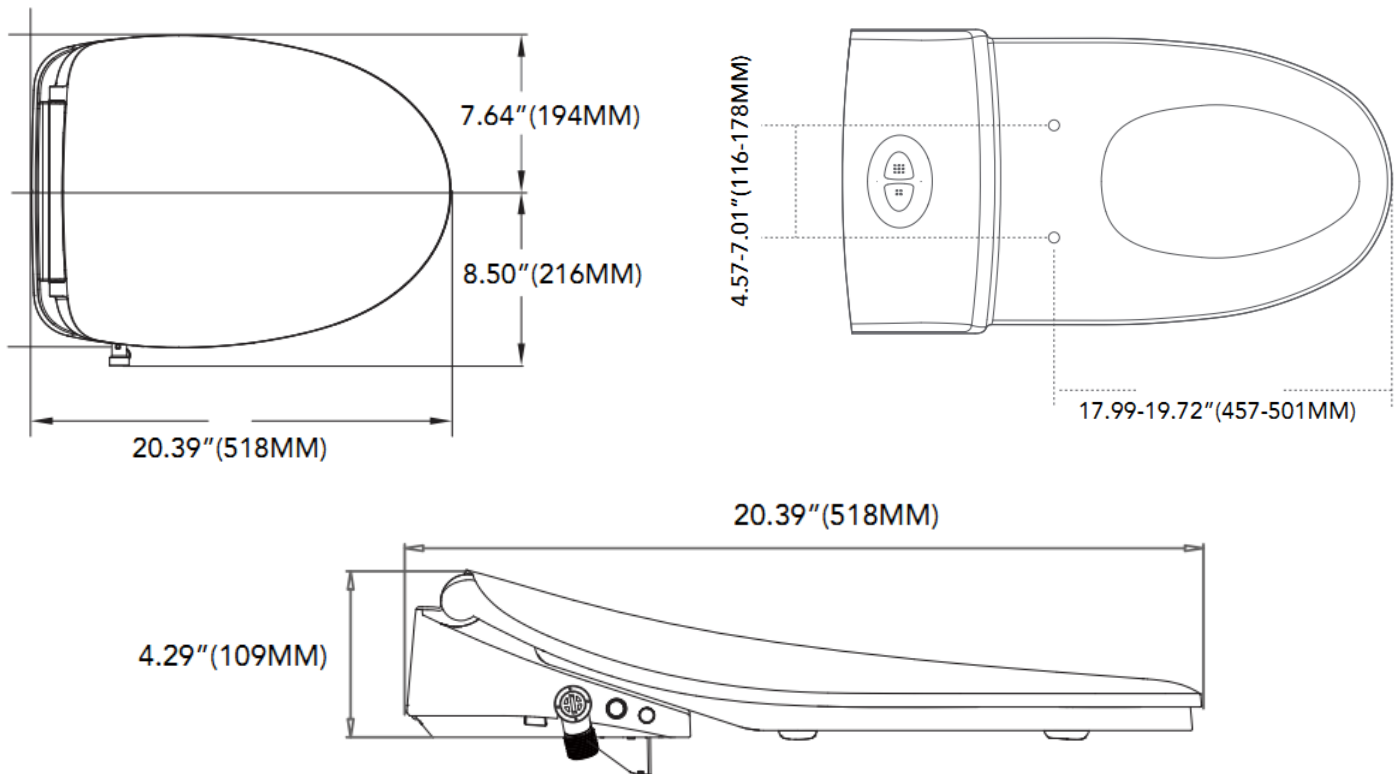
Contact your sales representative for more information or visit our website at luxartcollection.com

Revised 10/29/2020

Smart Bidet Electronic Toilet Seat

LUXART.

Product Specifications



Contact your sales representative for more information or visit our website at luxartcollection.com