

# PerfectSteam Plus Generator with Fast Start and Auto Powerflush



## Product Specifications



**Model LXA8**

## SPECIFICATIONS

Input Voltage.....	208-240VAC Single Phase
Kilowatt Rating.....	8.0
Maximum Amperage.....	37 AMPS
Water Inlet.....	3/8" NPT
Steam Outlet.....	1/2" NPT
Electrical connection.....	Hard-wired
Maximum Room Size (cubic Feet).....	140

The steam generator shall approximately be 18.5" x 8" x 13.0" in dimension. The generator tank shall be made from stainless steel the controller 5.5" x 3.4" x 3/4", and the steam head 2.5" Dia x 2".

## FEATURES

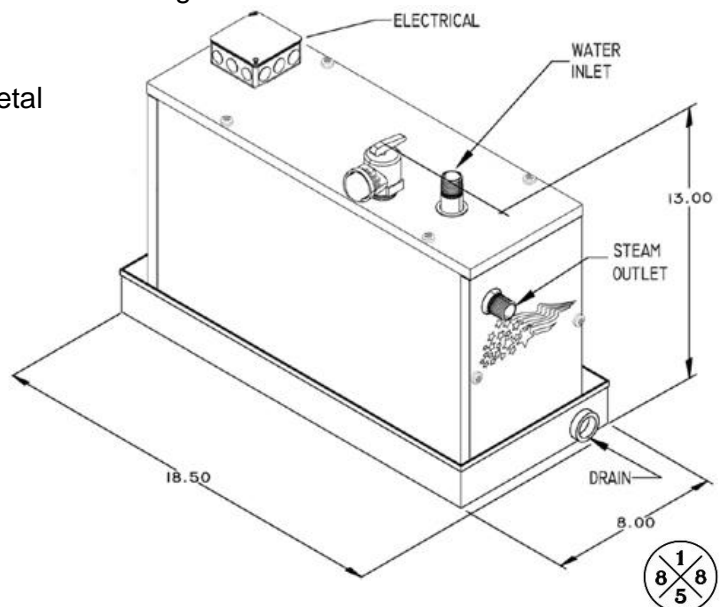
- Requires LXTTC-OSS Steam Control. Available in four finishes
- Fast Start – Steam in seconds not minutes – Patented
- Simple Sized – no complicated formulas
- Constant steam at a constant rate (no steam lags or bursts)
- Auto PowerFlush – Pressurized inner tank cleaning system
- 1 year in home, five year “no questions asked” factory warranty
- Can be plumbed 50 feet from the shower enclosure without having to purchase a larger kW unit
- Stainless Steel drain pan
- Time, temperature, memory, and clock control; all metal construction – not plated plastic

Shipping Information:	
Weight.....	28 lbs.
Length.....	21 in.
Width.....	10.32 in.
Height.....	14 in.

## INSTALLATION NOTES

Install this generator according to the supplied installation guide. Follow local plumbing and electrical codes. Unit must be accessible.

Generator is factory sized: L x W x H = Cubic Feet. Choose the appropriate generator. For every additional foot of ceiling height over 8 ft, use the next larger generator. Always round up when calculating the total cubic feet.



Contact your sales representative for more information or visit our website at [luxartcollection.com](http://luxartcollection.com)