

Push Connect® Brass 90 Degree Reducing Elbows

Product Specifications



PRODUCT FEATURES

- Forged Lead Free* Brass
- Maximum Working Pressure: 200 PSI
- Maximum Temperature Rating: 200° F
- Compatible with Copper, CPVC, PEX & PE-RT
- Replaceable O-Ring Seal Design
- Removable and Reusable
- Push to Connect
- Full Flow
- Available with Pre-Inserted Stiffener

APPROVED APPLICATIONS

- Plumbing
- Heating
- Irrigation
- Underground
- Hydronic Heating
- Behind Walls without Access Panel

NOTE: When using PEX, a tube stiffener should be inserted into the PEX tubing end prior to insertion into the fitting.

MATERIALS & SPECIFICATIONS

#	Component	Material
1	Body	Lead Free Brass
2	Seat Ring	POM
3	Push Ring	POM
4	Grip ring	Stainless Steel
5	O-Ring Seal	EPDM70

DIMENSIONS

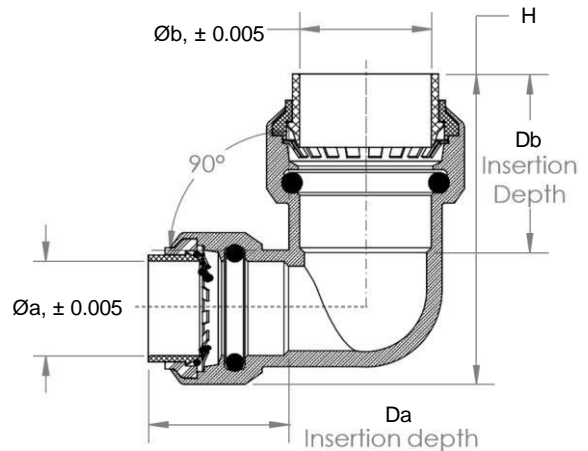
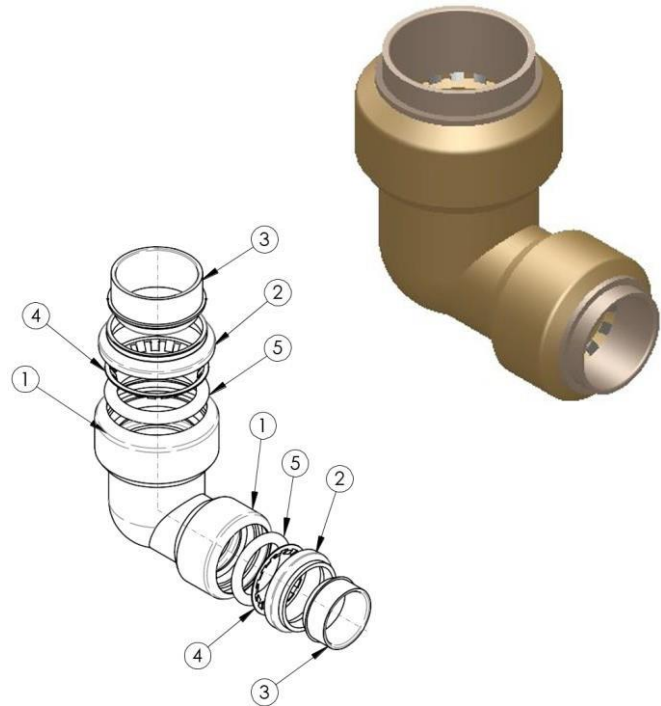
#	Øa	Øb	Da	Db	H
MLU274LF	0.64	0.88	1	1.06	2.14
MLU278LF	TBD	TBD	TBD	TBD	TBD
MLU274LF-S	0.64	0.88	1	1.06	2.14
MLU278LF-S	TBD	TBD	TBD	TBD	TBD

✓To Submit	Part #	Size
	MLU274LF	3/4" x 1/2"
	MLU278LF	1" x 3/4"
	MLU274LF-S	3/4" x 1/2" w/ Stiffener
	MLU278LF-S	1" x 3/4" w/ Stiffener

Warranty

See warranty information for more details.

All dimensions listed are nominal. MAINLINE® reserves the right to make product and material changes at any time without notice.



FORCES FOR MECHANICAL SEPARATION TEST

Nominal Size	Longitudinal (Pull) Test			
	Inches	mm	Lbf	N
1/2		13	150	667
3/4		19	275	1223.2



Contact your sales representative for more information or visit our website at mainlinecollection.com